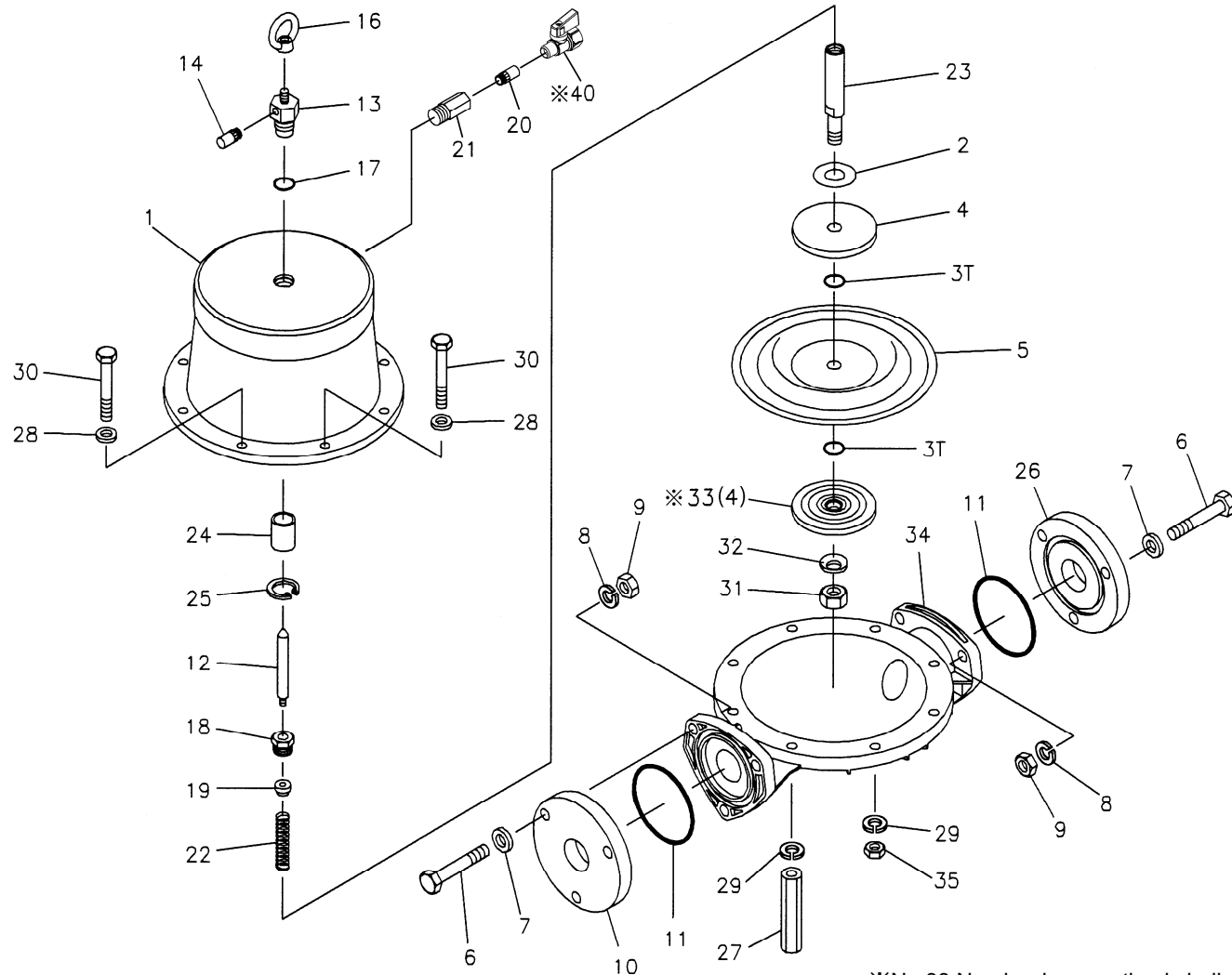


**Fluid contact Portion : Aluminum type**  
**Stainless-steel type**  
**Forged iron type**



※No.33 Number in parenthesis indicates the quantity for Aluminum type  
 ※No.40 There is no air valve in NPT Type

