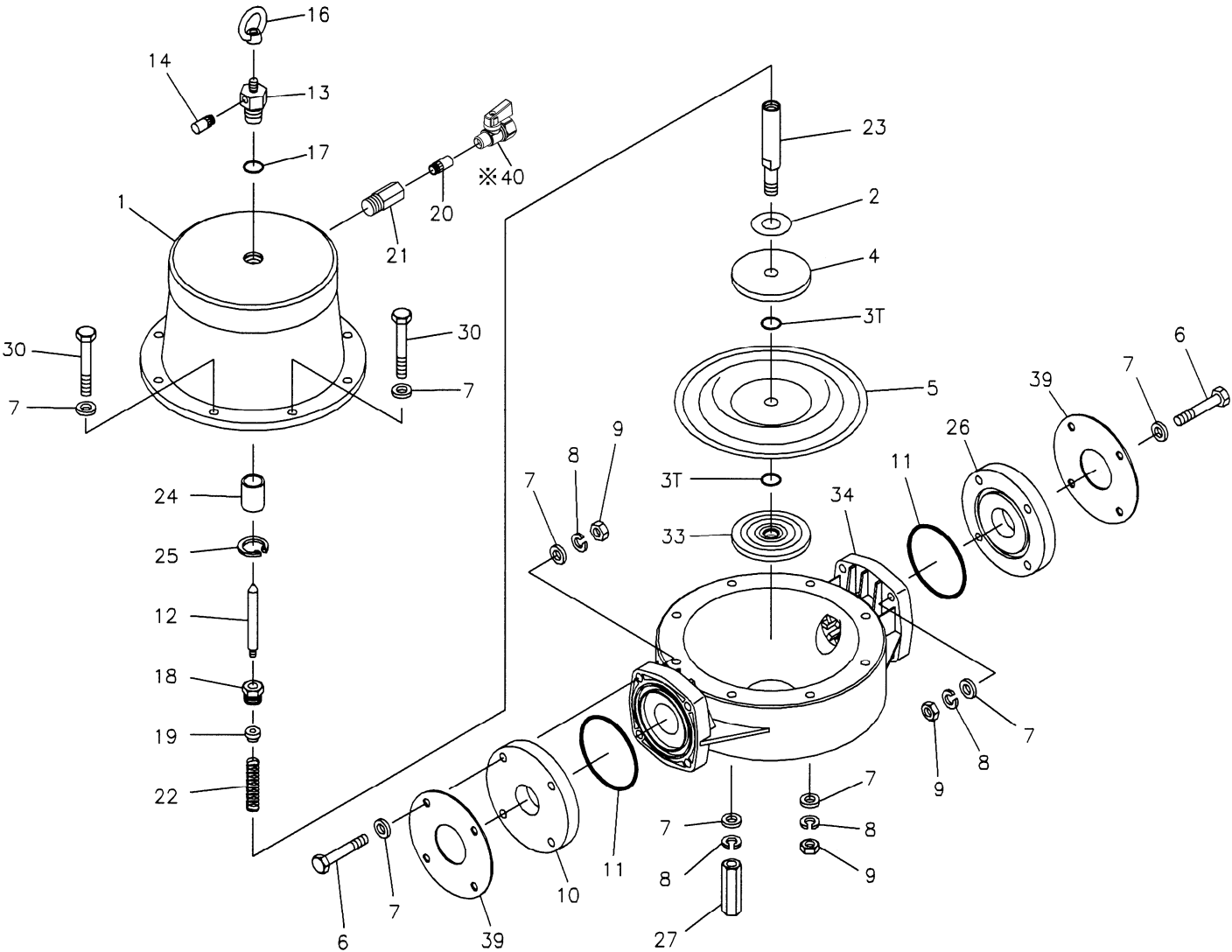


**Fluid contact Portion : Polypropylene type  
Polyvinylidene fluoride type**



※No.40 There is no air valve in NPT Type

REF. No.	MODEL		AD-40 VT
	ITEM No.		854755
	DESCRIPTION	Q'TY.	Part No.
1	AIR CHAMBER	1	713306
2	CUSHION	1	771316
3T	O RING	2	643015
4	CENTER DISK	1	707817
5	DIAPHRAGM	1	770814
6	BOLT	8	621183
7	PLAIN WASHER	32	631330
8	SPRING WASHER	16	680257
9	NUT	12	628013
10	FLANGE OUT	1	773437
11	O RING	2	643064
12	VALVE	1	795080
13	VALVE SEAT	1	716407
14	MUFFLER	1	802569
16	EYE NUT	1	630241
17	O RING	1	640017
18	NUT	1	710717
19	NUT	1	710719
20	MUFFLER	1	681170
21	UNION	1	710715
22	SPRING	1	710727
23	CENTER ROD	1	713442
24	THROAT BEARING	1	773092
25	RETAINING RING	1	630807
26	FLANGE IN	1	773436
27	STUD	4	713296
30	BOLT	8	683542
33	CENTER DISK	1	780207
34	OUT CHAMBER	1	780257
39	REINFORCEMENT PLATE	2	714124
40	VALVE	1	686825