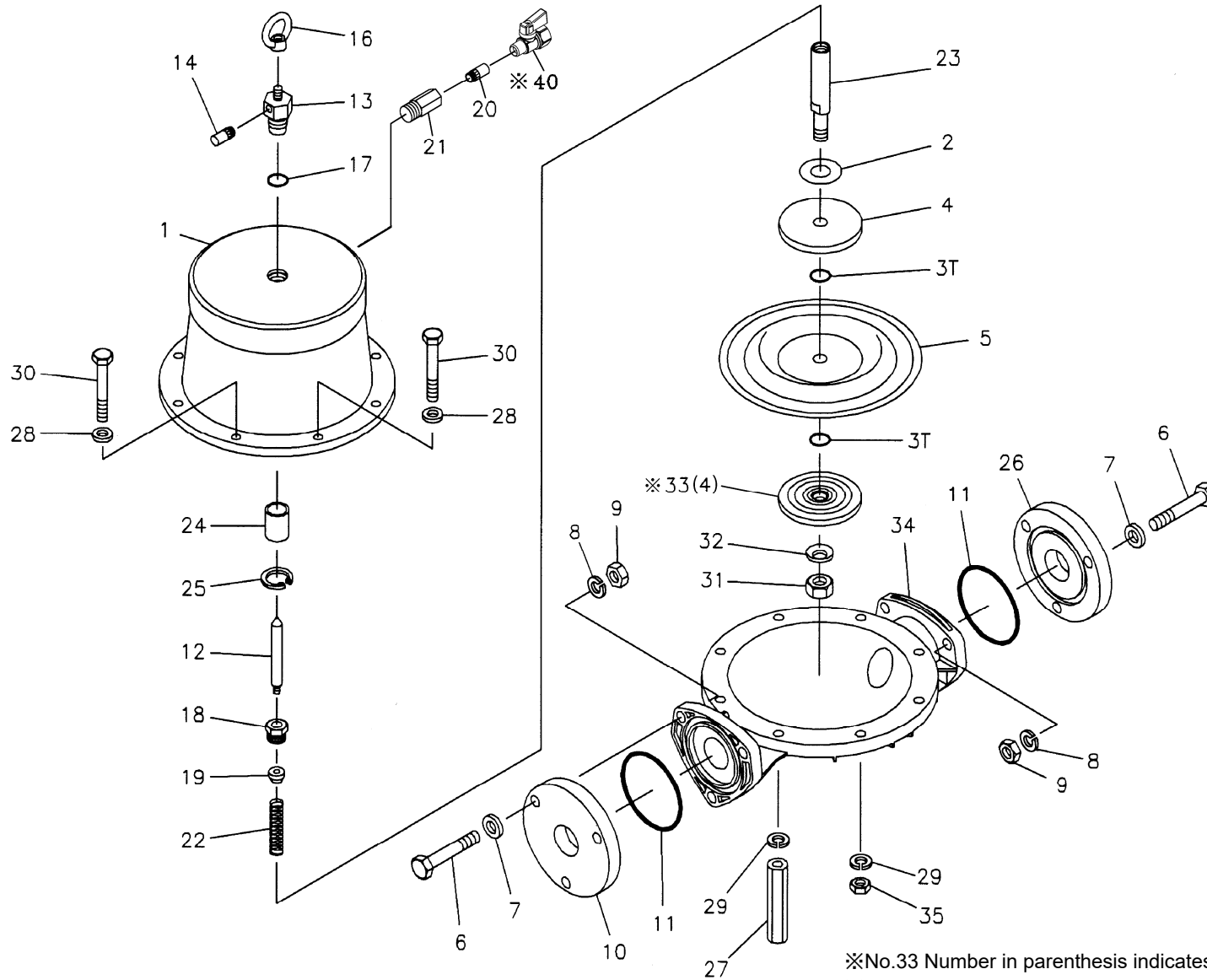


Fluid contact Portion : Aluminum type
Stainless-steel type
Forged iron type



※No.33 Number in parenthesis indicates the quantity for Aluminum type
 ※No.40 There is no air valve in NPT Type

