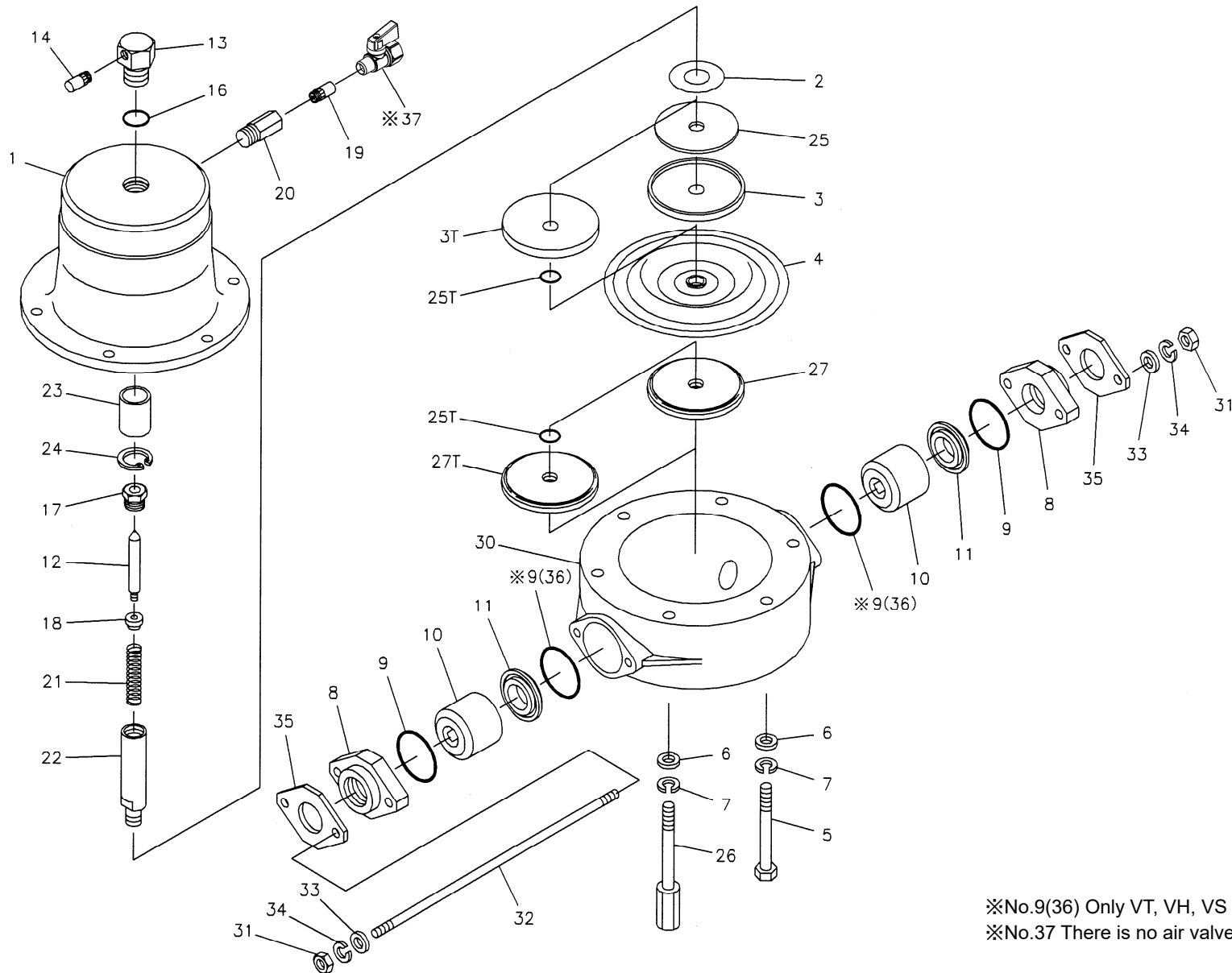


**Fluid contact Portion : Polypropylene type
Polyvinylidene fluoride type**



※No.9(36) Only VT, VH, VS
 ※No.37 There is no air valve in NPT Type

