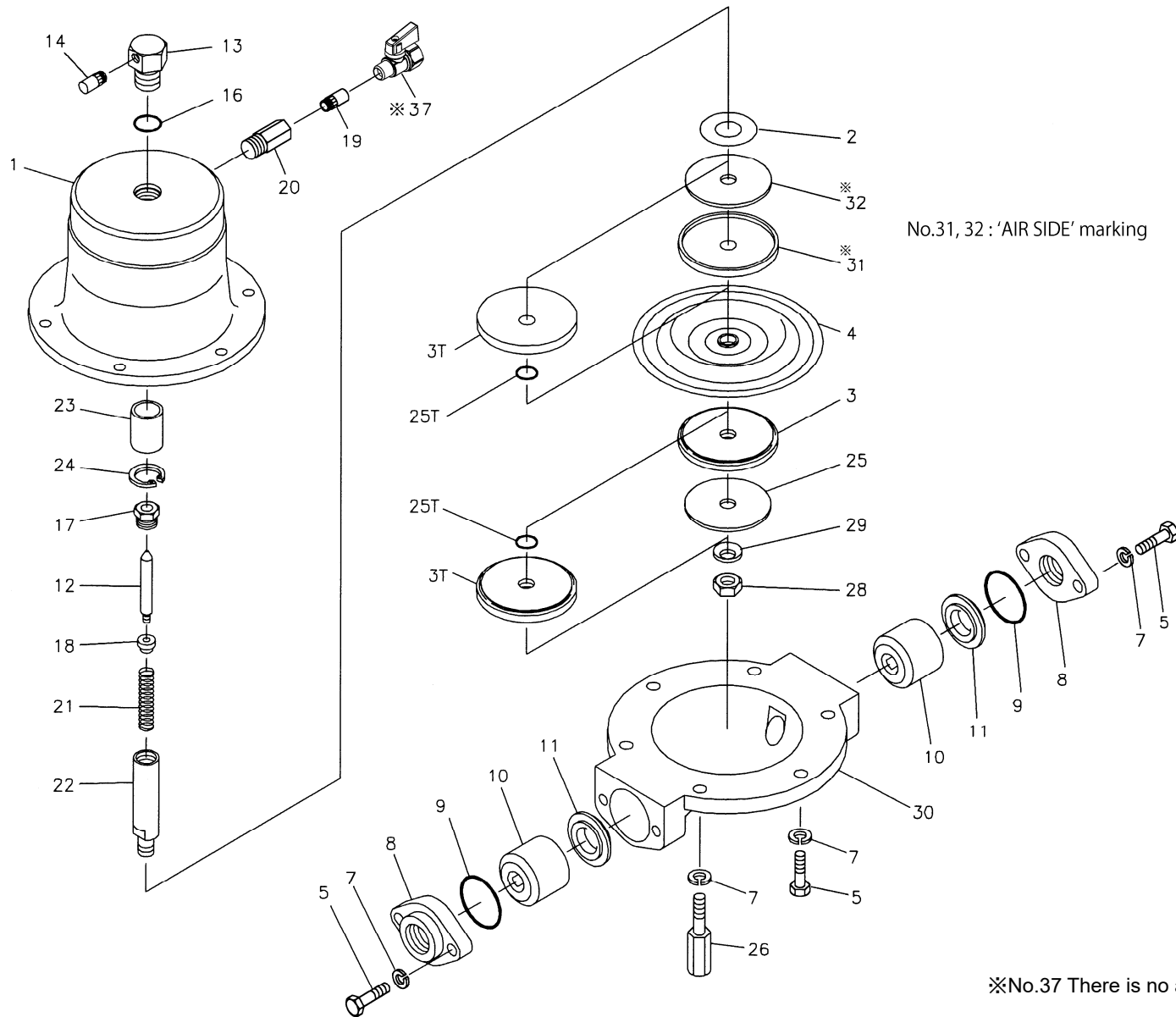


Fluid contact Portion : Aluminum type
Stainless-steel type
Forged iron type



※No.37 There is no air valve in NPT Type

