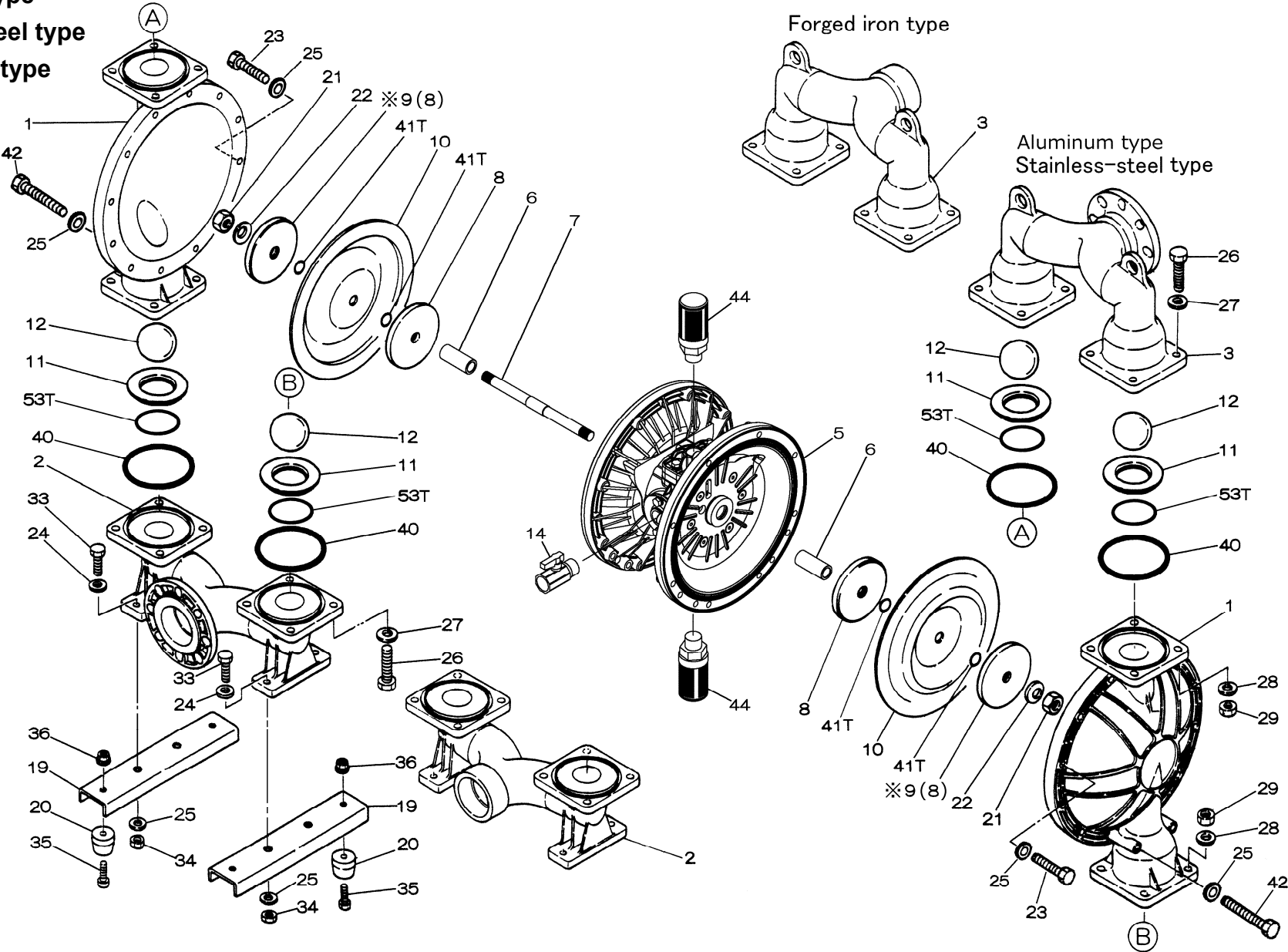


Fluid contact Portion :

Aluminum type

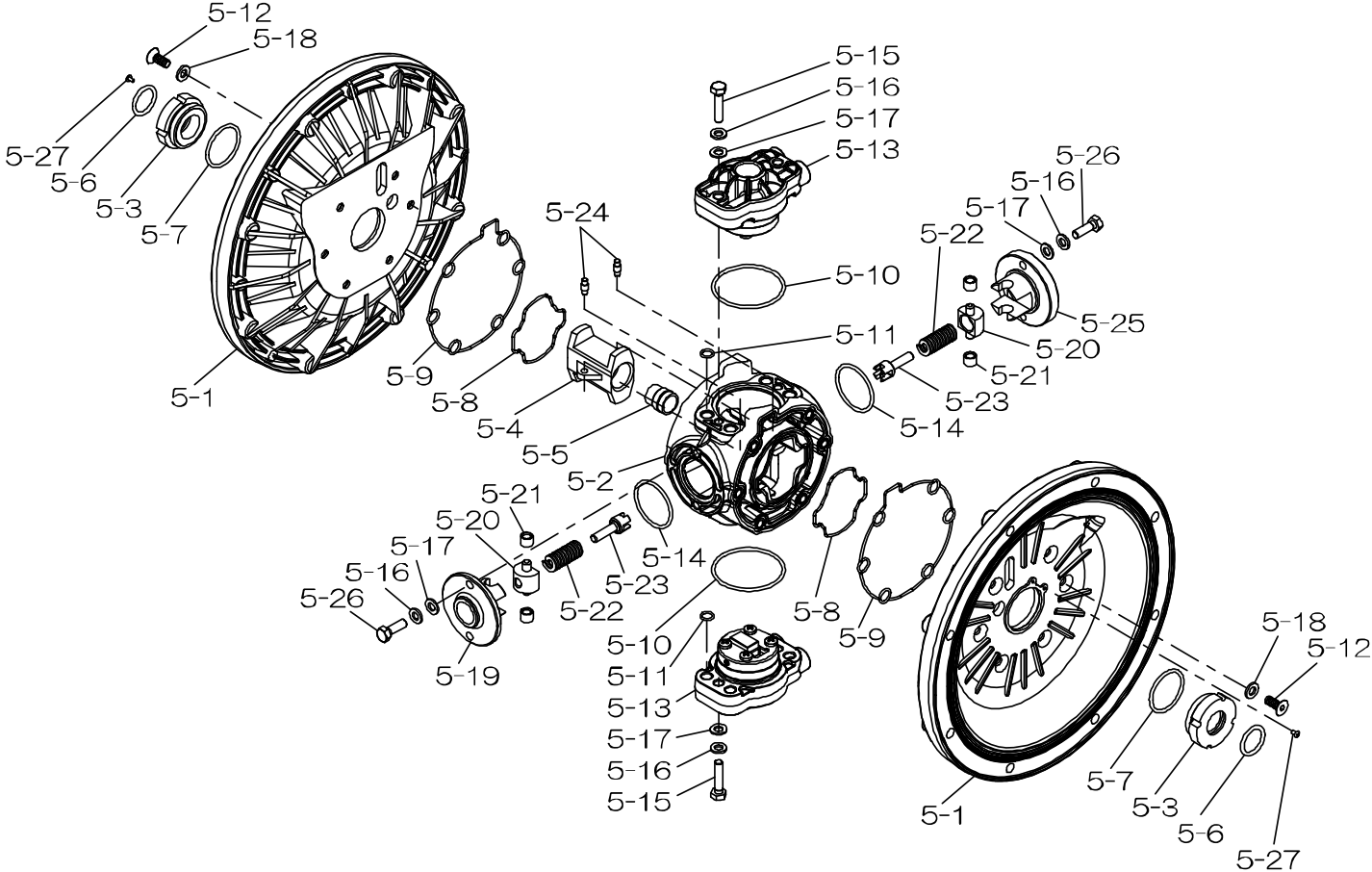
Stainless-steel type

Forged iron type

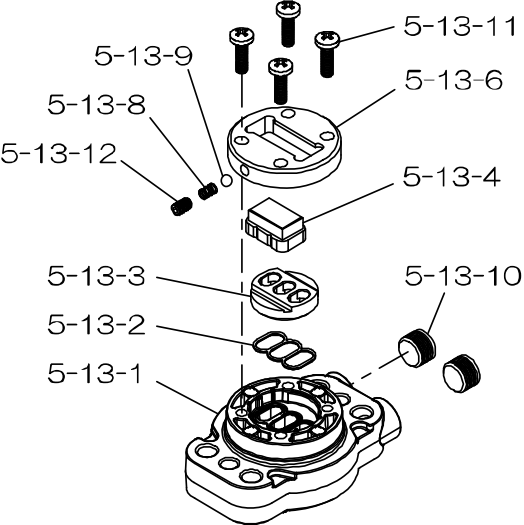


※No.9 Number in parenthesis indicates the quantity for Aluminum type

■Body Assembly (本体組立)



■Valve Body Assembly (バルブボディ組立)





Series :NDP-H80BA

REF. No.	MODEL		NDP-H80	NDP-H80	NDP-H80	NDP-H80	NDP-H80	NDP-H80	NDP-H80	NDP-H80
	ITEM No.		BAC	BAN	BAE	BAV	BAT	BAH	BAS	BAH/T
	DESCRIPTION	Q'TY.	855147	855148	855149	855150	855151	855152	855153	854491
			Part No.	Part No.	Part No.	Part No.	Part No.	Part No.	Part No.	Part No.
1	OUT CHAMBER	2	580962	580962	580962	580962	580962	580962	580962	580962
2	IN MANIFOLD	1	716684	716684	716684	716684	716684	716684	716684	716684
3	OUT MANIFOLD	1	716685	716685	716685	716685	716685	716685	716685	716685
5	BODY ASSY	1	804779	804779	804779	804779	804779	804779	804779	804779
6	CENTER BUSHING	2	716253	716253	716253	716253	716255	716253	716253	716253
7	CENTER ROD	1	716252	716252	716252	716252	716254	716252	716252	716252
8	CENTER DISK	4	711906	711906	711906	711906	711041	711906	711906	711906
10	DIAPHRAGM	2	771857	771704	771858	771801	770934	771705	771977	771705
11	VALVE SEAT	4	771958	771996	771999	771998	712384	771795	772005	771795
12	BALL	4	770559	770587	770596	770605	770694	773144	773174	770694
14	VALVE	1	686973	686973	686973	686973	686973	686973	686973	686973
19	BASE	2	711912	711912	711912	711912	711912	711912	711912	711912
20	RUBBER FOOT	4	771402	771402	771402	771402	771402	771402	771402	771402
21	NUT	2	683408	683408	683408	706144	706144	683408	683408	683408
22	CONED DISC SPRING	2	682740	682740	682740	682740	682740	682740	682740	682740
23	BOLT	20	686163	686163	686163	686163	686163	686163	686163	686163
24	PLAIN WASHER	4	631014	631014	631014	631014	631014	631014	631014	631014
25	WAVE WASHER	28	631917	631917	631917	631917	631917	631917	631917	631917
26	BOLT	16	611204	611204	611204	611204	611204	611204	611204	611204
27	PLAIN WASHER	16	631015	631015	631015	631015	631015	631015	631015	631015
28	WAVE WASHER	16	631918	631918	631918	631918	631918	631918	631918	631918
29	NUT	16	627014	627014	627014	627014	627014	627014	627014	627014
33	BOLT	4	611177	611177	611177	611177	611177	611177	611177	611177
34	NUT	4	627013	627013	627013	627013	627013	627013	627013	627013
35	BOLT	4	611149	611149	611149	611149	611149	611149	611149	611149
36	FLANGED NUT	4	682276	682276	682276	682276	682276	682276	682276	682276
40	O RING	4	640078	640078	684124	642078	643078	640078	684124	643078
41T	O RING	4	—	—	—	—	643015	—	—	—
42	BOLT	4	686164	686164	686164	686164	686164	686164	686164	686164
44	MUFFLER	2	680913	680913	680913	680913	680913	680913	680913	680913
53T	O RING	4	—	—	—	—	643145	—	—	—

REF. No.	MODEL		BODY ASSY
	ITEM No.		804779
	DESCRIPTION	Q'TY.	Part No.
5- 1	AIR CHAMBER	2	716248
5- 2	BODY	1	716256
5- 3	THROAT BEARING	2	773066
5- 4	VALVE SWITCHER	1	716214
5- 5	CENTER ROD GUIDE	1	773047
5- 6	O RING	2	640023
5- 7	O RING	2	640133
5- 8	GASKET	2	773040
5- 9	GASKET	2	773041
5-10	O RING	2	640138
5-11	O RING	8	640007
5-12	BOLT	12	683812
5-13	VALVE BODY ASSY	2	804784
5-13- 1	VALVE BODY	1	716244
5-13- 2	GASKET	1	773042
5-13- 3	VALVE SEAT	1	716246
5-13- 4	BLOCK	1	773425
5-13- 6	GUIDE PLATE	1	773426
5-13- 8	SPRING	1	706612
5-13- 9	BALL	1	686271
5-13-10	PLUG	2	772934
5-13-11	SCREW	4	602300
5-13-12	SET SCREW	1	610025
5-14	O RING	2	640134
5-15	BOLT	4	611153
5-16	SPRING WASHER	8	631420
5-17	PLAIN WASHER	8	631013
5-18	PLAIN WASHER	12	684987
5-19	RETAINER B	1	716217
5-20	SPRING GUIDE	2	713620
5-21	BUSHING	4	773067
5-22	SPRING	2	686303
5-23	TRIP ARM	2	714446
5-24	PIN	2	700231
5-25	RETAINER A	1	716216
5-26	BOLT	4	611149
5-27	TAPPING SCREW	2	686337