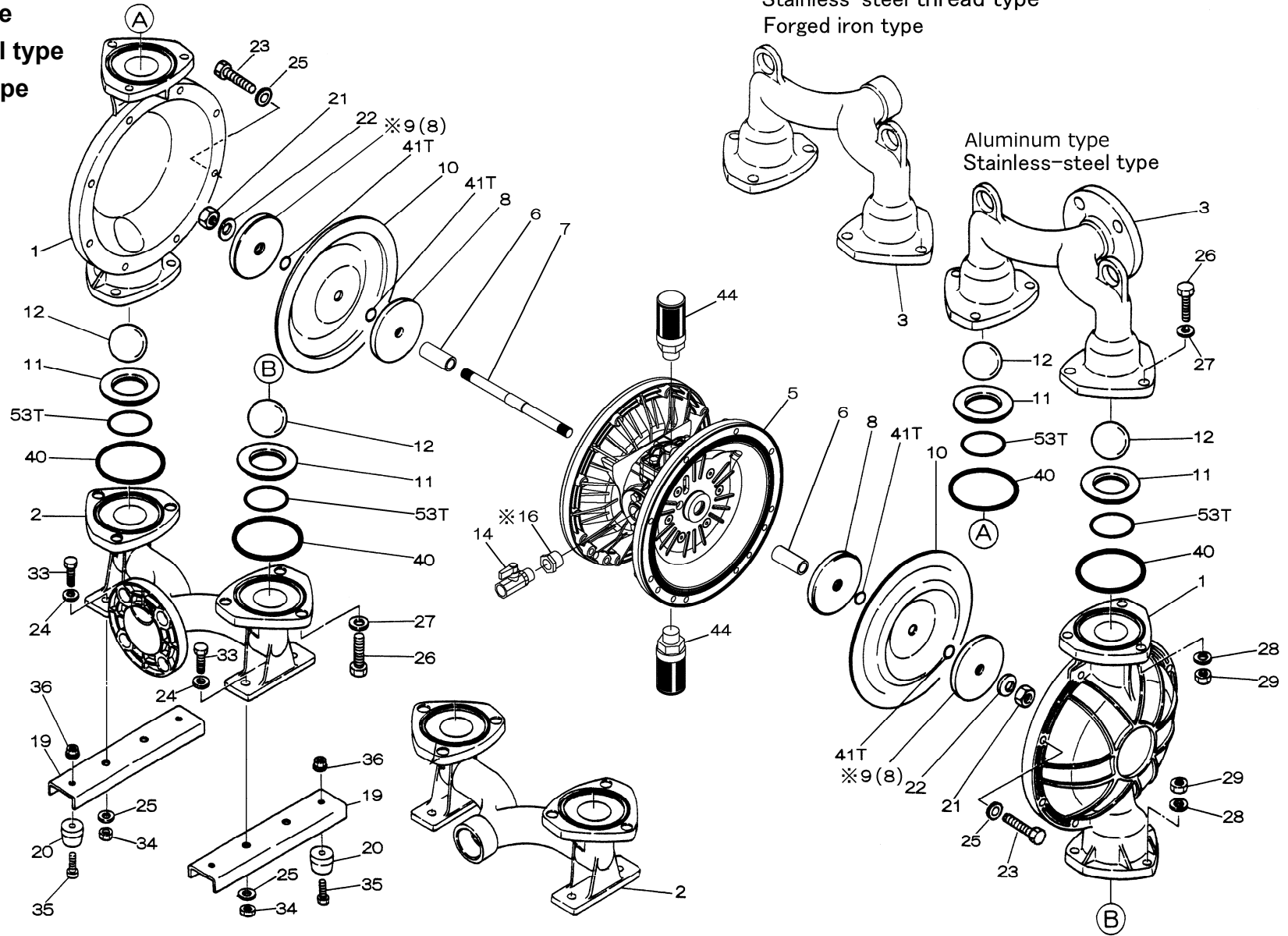


Fluid contact Portion :

Aluminum type

Stainless-steel type

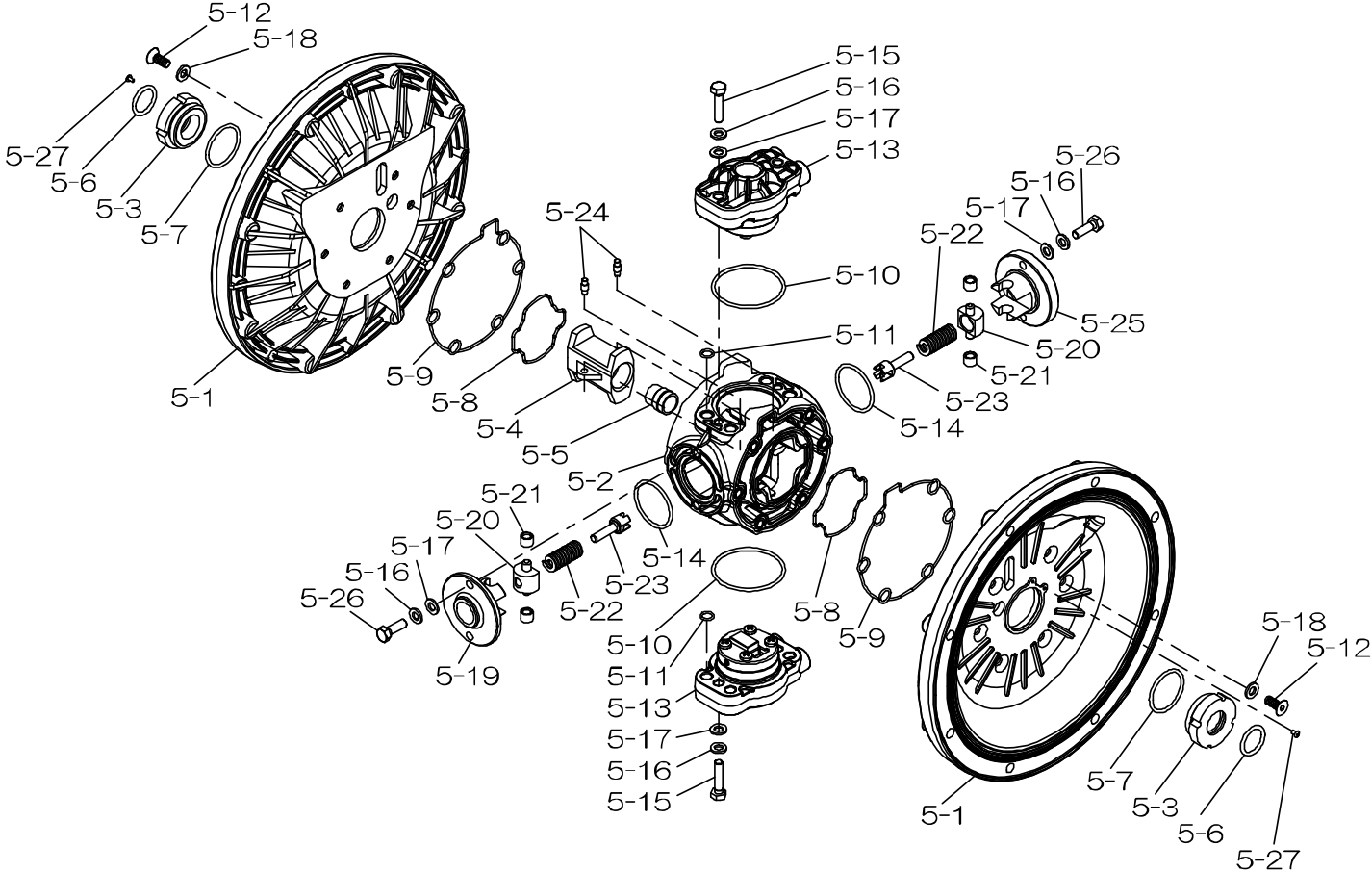
Forged iron type



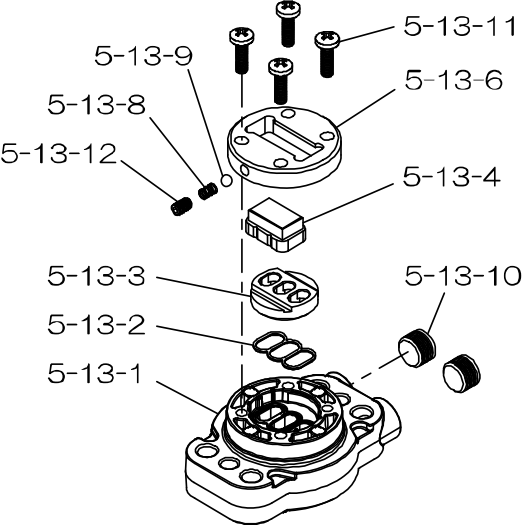
※No.9 Number in parenthesis indicates the quantity for Aluminum type

※No.16 There are no bushing in type H50

■Body Assembly (本体組立)



■Valve Body Assembly (バルブボディ組立)





REF. No.	MODEL		NDP-H50 BAC	NDP-H50 BAN	NDP-H50 BAE	NDP-H50 BAV	NDP-H50 BAT	NDP-H50 BAH	NDP-H50 BAS	NDP-H50 BAH/T
	ITEM No.		855126	855127	855128	855129	855130	855131	855132	854410
	DESCRIPTION	QTY	Part No.	Part No.	Part No.	Part No.	Part No.	Part No.	Part No.	Part No.
1	OUT CHAMBER	2	580961	580961	580961	580961	580961	580961	580961	580961
2	IN MANIFOLD	1	716682	716682	716682	716682	716682	716682	716682	716682
3	OUT MANIFOLD	1	716683	716683	716683	716683	716683	716683	716683	716683
5	BODY ASSY	1	804777	804777	804777	804777	804851	804777	804777	804777
6	CENTER BUSHING	2	716219	716219	716219	716219	716399	716219	716219	716219
7	CENTER ROD	1	716218	716218	716218	716218	716404	716218	716218	716218
8	CENTER DISK	4	711904	711904	711904	711904	707822	711904	711904	711904
10	DIAPHRAGM	2	771855	771702	771856	771800	770815	771703	771976	771703
11	VALVE SEAT	4	771957	771995	771949	771987	712383	771794	772004	771794
12	BALL	4	770627	770630	770633	770636	770693	773143	773173	770693
14	VALVE	1	686973	686973	686973	686973	686973	686973	686973	686973
19	BASE	2	711928	711928	711928	711928	711928	711928	711928	711928
20	RUBBER FOOT	4	771402	771402	771402	771402	771402	771402	771402	771402
21	NUT	2	683408	683408	683408	706128	706128	683408	683408	683408
22	CONED DISC SPRING	2	682740	682740	682740	682740	682740	682740	682740	682740
23	BOLT	16	686162	686162	686162	686162	686162	686162	686162	686162
24	PLAIN WASHER	4	631014	631014	631014	631014	631014	631014	631014	631014
25	WAVE WASHER	20	631917	631917	631917	631917	631917	631917	631917	631917
26	BOLT	12	611203	611203	611203	611203	611203	611203	611203	611203
27	PLAIN WASHER	12	631015	631015	631015	631015	631015	631015	631015	631015
28	WAVE WASHER	12	631918	631918	631918	631918	631918	631918	631918	631918
29	NUT	12	627014	627014	627014	627014	627014	627014	627014	627014
33	BOLT	4	611175	611175	611175	611175	611175	611175	611175	611175
34	NUT	4	627013	627013	627013	627013	627013	627013	627013	627013
35	BOLT	4	611149	611149	611149	611149	611149	611149	611149	611149
36	FLANGED NUT	4	682276	682276	682276	682276	682276	682276	682276	682276
40	O RING	4	640069	640069	684122	642069	643069	640069	684122	643069
41T	O RING	4	—	—	—	—	643015	—	—	—
44	MUFFLER	2	680913	680913	680913	680913	680913	680913	680913	680913
53T	O RING	4	—	—	—	—	643139	—	—	—

RE-ORDE R	REF. No.	MODEL		BODY ASSY	BODY ASSY
		ITEM No.		BA_BS_BF_BP_BV	BAT_BST_BFT_BPT_BVT
		DESCRIPTION	Q'TY	804777 Part No.	804851 Part No.
	5- 1	AIR CHAMBER	2	716247	716247
	5- 2	BODY	1	716256	716256
	5- 3	THROAT BEARING	2	773048	773095
	5- 4	VALVE SWITCHER	1	716214	716214
	5- 5	CENTER ROD GUIDE	1	773047	773047
	5- 6	O RING	2	640023	640023
	5- 7	O RING	2	640133	640133
	5- 8	GASKET	2	773040	773040
	5- 9	GASKET	2	773041	773041
	5-10	O RING	2	640138	640138
	5-11	O RING	8	640007	640007
	5-12	BOLT	12	683812	683812
	5-13	VALVE BODY ASSY	2	804784	804784
	5-13- 1	VALVE BODY	1	716244	716244
	5-13- 2	GASKET	1	773042	773042
	5-13- 3	VALVE SEAT	1	716246	716246
	5-13- 4	BLOCK	1	773425	773425
	5-13- 6	GUIDE PLATE	1	773426	773426
	5-13- 8	SPRING	1	706612	706612
	5-13- 9	BALL	1	686271	686271
	5-13-10	PLUG	2	772934	772934
	5-13-11	SCREW	4	602300	602300
	5-13-12	SET SCREW	1	610025	610025
	5-14	O RING	2	640134	640134
	5-15	BOLT	4	611153	611153
	5-16	SPRING WASHER	8	631420	631420
	5-17	PLAIN WASHER	8	631013	631013
	5-18	PLAIN WASHER	12	684987	684987
	5-19	RETAINER B	1	716217	716217
	5-20	SPRING GUIDE	2	713620	713620
	5-21	BUSHING	4	773067	773067
	5-22	SPRING	2	686303	686303
	5-23	TRIP ARM	2	714446	714446
	5-24	PIN	2	700231	700231
	5-25	RETAINER A	1	716216	716216
	5-26	BOLT	4	611149	611149
	5-27	TAPPING SCREW	2	686337	686337