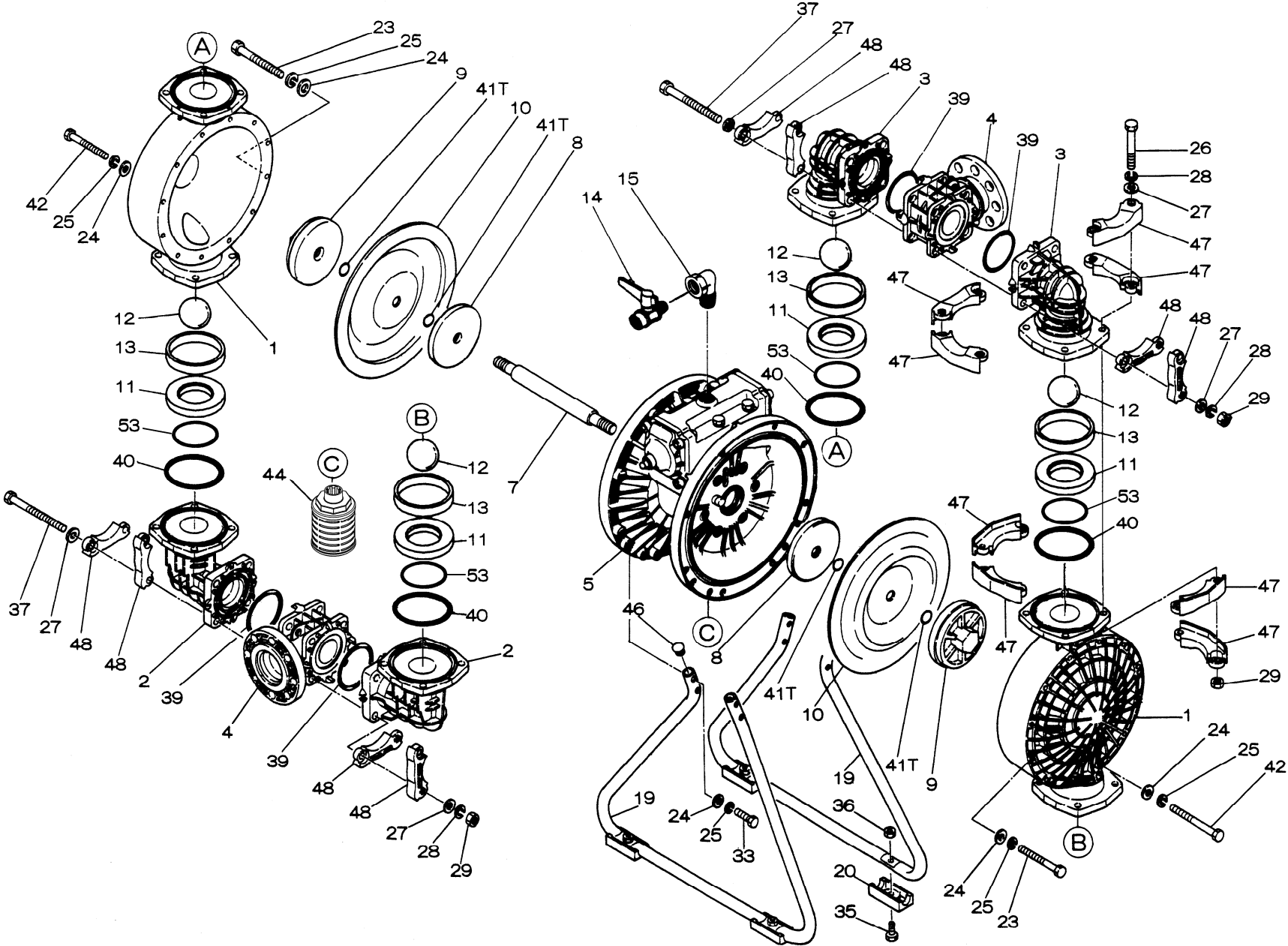
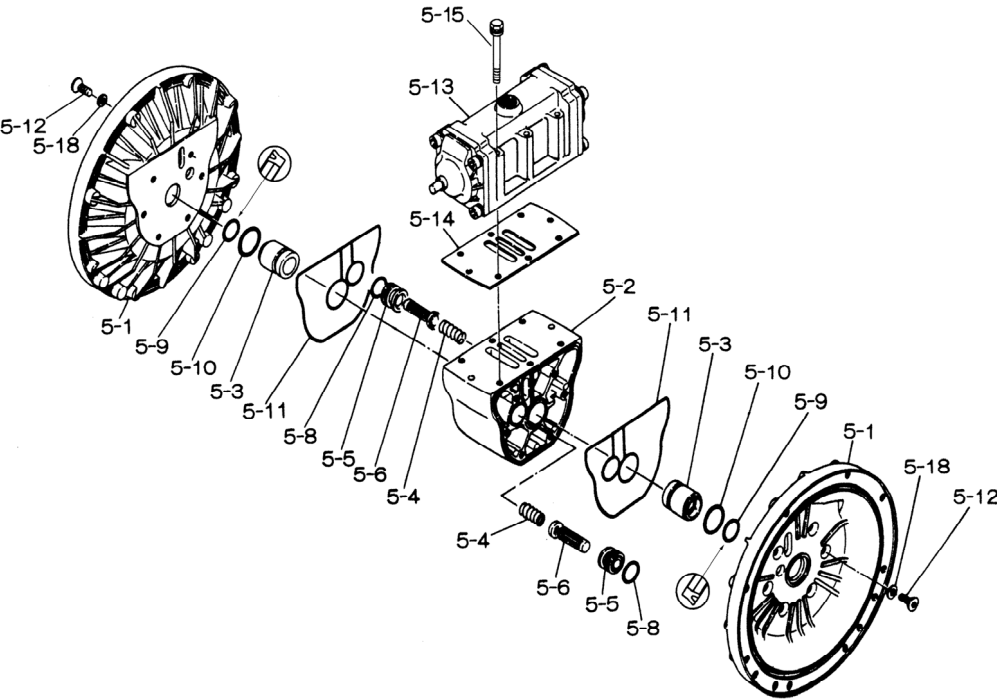


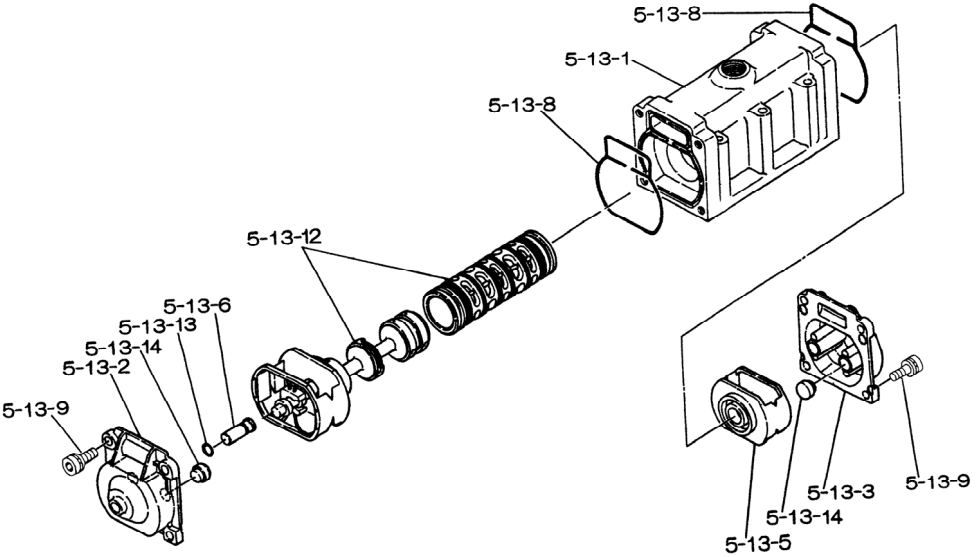
Fluid contact Portion : Polypropylene type



■Body Assembly (本体組立)



■Valve Body Assembly (バルブボディ組立)





REF. No.	MODEL		NDP-80 BPC	NDP-80 BPN	NDP-80 BPE	NDP-80 BPV	NDP-80 BPT	NDP-80 BPH	NDP-80 BPS	NDP-80 BPH/T
	ITEM No.		852671	852344	852672	852318	852346	852345	852724	852565
	DESCRIPTION	Q'TY.	Part No.	Part No.	Part No.	Part No.	Part No.	Part No.	Part No.	Part No.
1	OUT CHAMBER	2	780149	780149	780149	780149	780149	780149	780149	780149
2	IN MANIFOLD	2	780246	780246	780246	780246	780246	780246	780246	780246
3	OUT MANIFOLD	2	780152	780152	780152	780152	780152	780152	780152	780152
4	CENTER MANIFOLD	2	780250	780250	780250	780250	780250	780250	780250	780250
5	BODY ASSY	1	803123	803123	803123	803123	803123	803123	803123	803123
7	CENTER ROD	1	711901	711901	711901	711901	711940	711901	711901	711901
8	CENTER DISK	2	711906	711906	711906	711906	711041	711906	711906	711906
9	CENTER DISK	2	780064	780064	780064	780064	771730	780064	780064	780064
10	DIAPHRAGM	2	771857	771704	771858	771801	770934	771705	771977	771705
11	VALVE SEAT	4	772098	772098	772098	772098	772098	772098	772098	772098
12	BALL	4	770559	770587	770596	770605	770694	773144	773174	770694
13	VALVE GUIDE	4	772099	772099	772099	772099	772099	772099	772099	772099
14	VALVE	1	686973	686973	686973	686973	686973	686973	686973	686973
15	ELBOW	1	634034	634034	634034	634034	634034	634034	634034	634034
19	STAND	2	711927	711927	711927	711927	711927	711927	711927	711927
20	RUBBER FOOT	4	771865	771865	771865	771865	771865	771865	771865	771865
23	BOLT	20	683543	683543	683543	683543	683543	683543	683543	683543
24	PLAIN WASHER	32	631330	631330	631330	631330	631330	631330	631330	631330
25	SPRING WASHER	32	680257	680257	680257	680257	680257	680257	680257	680257
26	BOLT	16	621214	621214	621214	621214	621214	621214	621214	621214
27	PLAIN WASHER	32	631331	631331	631331	631331	631331	631331	631331	631331
28	SPRING WASHER	24	680607	680607	680607	680607	680607	680607	680607	680607
29	NUT	24	628014	628014	628014	628014	628014	628014	628014	628014
33	BOLT	8	621179	621179	621179	621179	621179	621179	621179	621179
35	BOLT	4	621149	621149	621149	621149	621149	621149	621149	621149
36	FLANGED NUT	4	683837	683837	683837	683837	683837	683837	683837	683837
37	BOLT	8	683544	683544	683544	683544	683544	683544	683544	683544
39	O RING	4	640070	640070	684123	642070	643070	640070	684123	643070
40	O RING	4	640080	640080	684125	642080	643080	640080	684125	643080
41T	O RING	4	—	—	—	—	643015	—	—	—
42	BOLT	4	683552	683552	683552	683552	683552	683552	683552	683552
44	MUFFLER	1	804764	804764	804764	804764	804764	804764	804764	804764
46	CAP	4	683641	683641	683641	683641	683641	683641	683641	683641
47	PROTECTOR A	32	771789	771789	771789	771789	771789	771789	771789	771789
48	PROTECTOR B	16	771790	771790	771790	771790	771790	771790	771790	771790
53	O RING	4	640143	640143	685443	642143	643143	640143	685443	643143

REF. No.	MODEL		BODY ASSY			
	ITEM No.		BA	BS	BF	BP
	DESCRIPTION		803123			
	DESCRIPTION	Q'TY.	Part No.			
5- 1	AIR CHAMBER	2	711935			
5- 2	BODY	1	711947			
5- 3	THROAT BEARING	2	772689			
5- 4	SPRING	2	711937			
5- 5	VALVE SEAT	2	771740			
5- 6	PILOT VALVE ASSY	2	832163			
5- 8	O RING	2	640020			
5- 9	PACKING	2	685444			
5-10	O RING	2	640029			
5-11	GASKET	2	771742			
5-12	BOLT	12	683812			
5-13	VALVE BODY ASSY	1	803120			
5-13- 1	VALVE BODY	1	711946			
5-13- 2	CAP A	1	580999			
5-13- 3	CAP B	1	581000			
5-13- 5	SPRING RETAINER	1	771735			
5-13- 6	RESET BUTTON	1	712976			
5-13- 8	GASKET	2	771738			
5-13- 9	BOLT	8	685036			
5-13-12	C SPOOL ASSY	1	805084			
5-13-13	O RING	1	640005			
5-13-14	CUSHION	4	684128			
5-14	GASKET	1	771712			
5-15	BOLT & WASHER	6	684240			
5-18	PLAIN WASHER	12	684987			