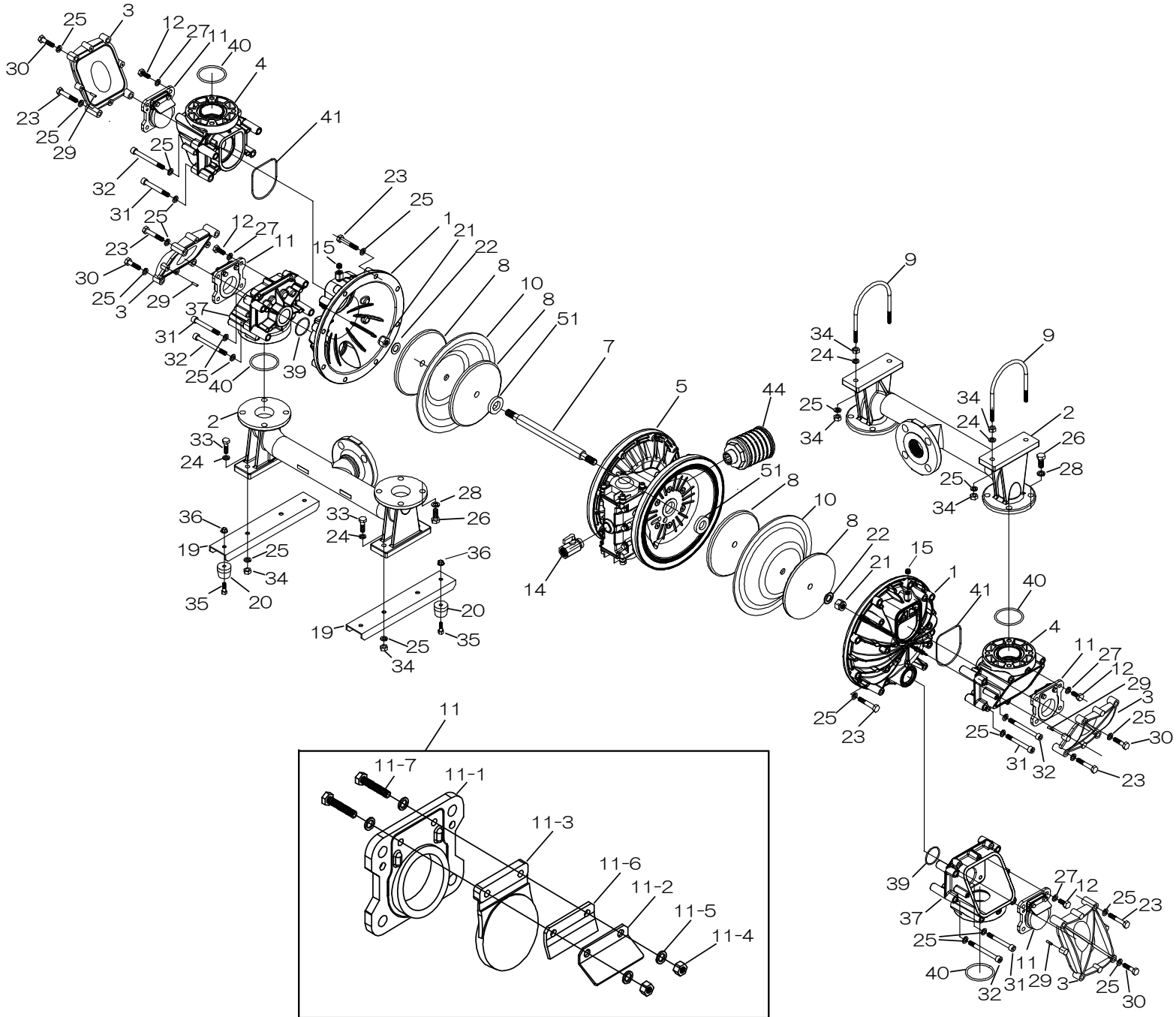
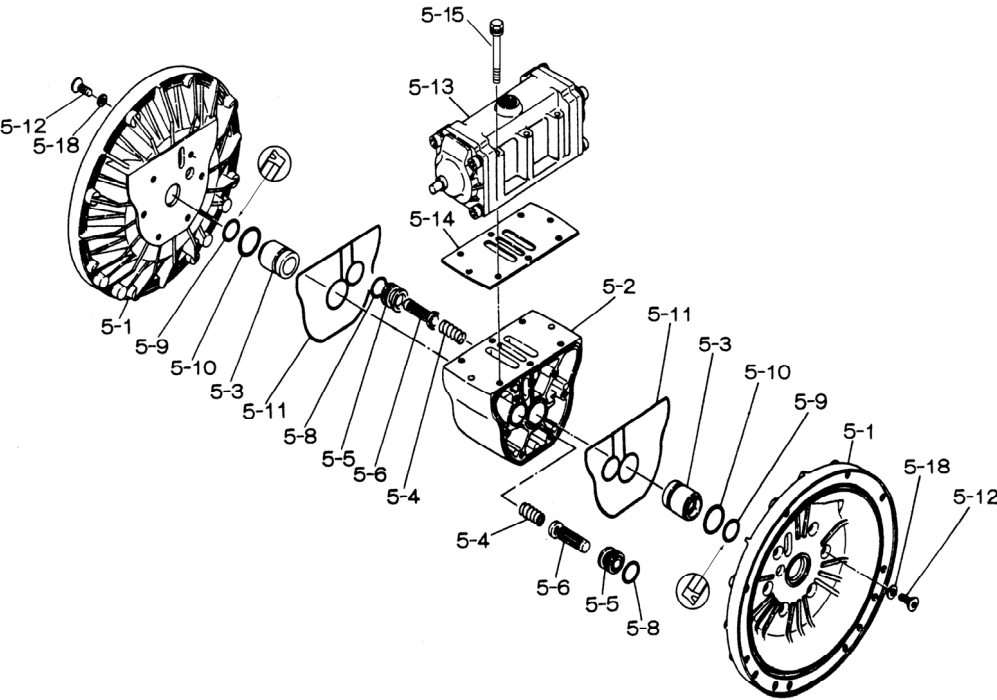


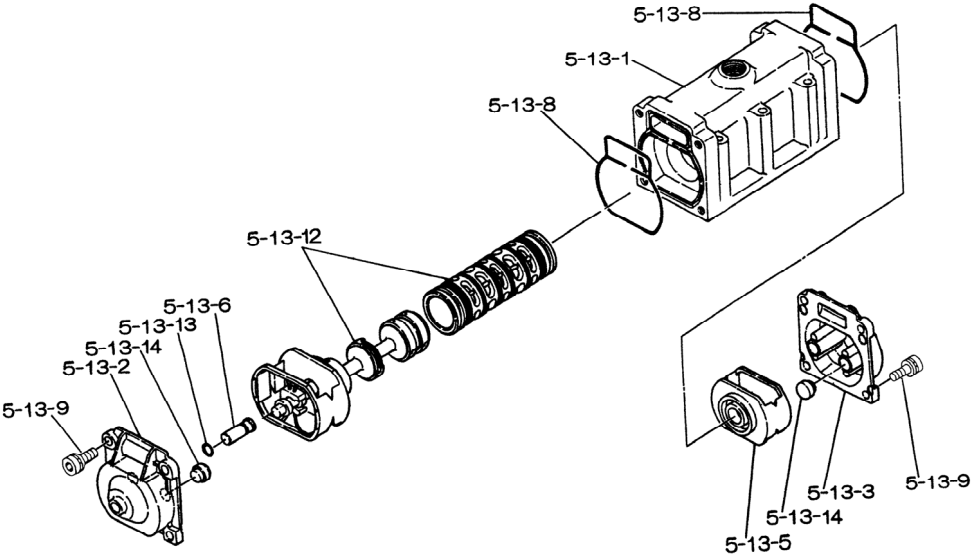
**Fluid contact Portion : Aluminum type**



■Body Assembly (本体組立)



■Valve Body Assembly (バルブボディ組立)



REF. No.	MODEL		NDP-50 FAN
	ITEM No.		855089
	DESCRIPTION	Q'TY.	Part No.
1	OUT CHAMBER ASSY	2	832962
2	MANIFOLD	2	716076
3	COVER	4	795117
4	IN VALVE CASE	2	716030
5	BODY ASSY	1	804720
5- 1	AIR CHAMBER	2	711934
5- 2	BODY	1	711947
5- 3	THROAT BEARING	2	772689
5- 4	SPRING	2	711937
5- 5	VALVE SEAT	2	771740
5- 6	PILOT VALVE ASSY	2	832163
5- 8	O RING	2	640020
5- 9	PACKING	2	685444
5-10	O RING	2	640029
5-11	GASKET	2	771742
5-12	BOLT	12	683812
5-13	VALVE BODY ASSY	1	803120
5-13- 1	VALVE BODY	1	711946
5-13- 2	CAP A	1	580999
5-13- 3	CAP B	1	581000
5-13- 5	SPRING RETAINER	1	771735
5-13- 6	RESET BUTTON	1	712976
5-13- 8	GASKET	2	771738
5-13- 9	BOLT	8	685036
5-13-12	C SPOOL ASSY	1	805084
5-13-13	O RING	1	640005
5-13-14	CUSHION	4	684128
5-14	GASKET	1	771712
5-15	BOLT & WASHER	6	684240
5-18	PLAIN WASHER	12	684987
7	CENTER ROD	1	711900
8	CENTER DISK	4	711904
9	BOLT	2	686099
10	DIAPHRAGM	2	771702
11	VALVE ASSY	4	804841
11-1	VALVE SEAT	1	795124
11-2	VALVE STOPPER	1	715765
11-3	FLAP VALVE	1	795125
11-4	NUT	2	685184



REF. No.	MODEL		NDP-50 FAN
	ITEM No.		855089
	DESCRIPTION	Q'TY.	Part No.
11-5	PLAIN WASHER	4	631172
11-6	HINGE PAD	1	773000
11-7	BOLT	2	621106
12	BOLT	16	621173
14	VALVE	1	686973
15	PLUG	2	634361
19	BASE	2	716078
20	RUBBER FOOT	4	771402
21	NUT	2	683408
22	CONED DISC SPRING	2	682740
23	BOLT	24	686162
24	PLAIN WASHER	8	631014
25	WAVE WASHER	56	631917
26	BOLT	16	611197
27	WAVE WASHER	16	631937
28	WAVE WASHER	16	631918
29	PIN	16	686169
30	BOLT	8	611179
31	BOLT	8	619188
32	BOLT	8	686158
33	BOLT	4	611177
34	NUT	12	627013
35	BOLT	4	611149
36	FLANGED NUT	4	682276
37	OUT VALVE CASE	2	716031
39	O RING	2	640045
40	O RING	4	640060
41	GASKET	2	772941
44	MUFFLER	1	681040
51	CUSHION	2	770582