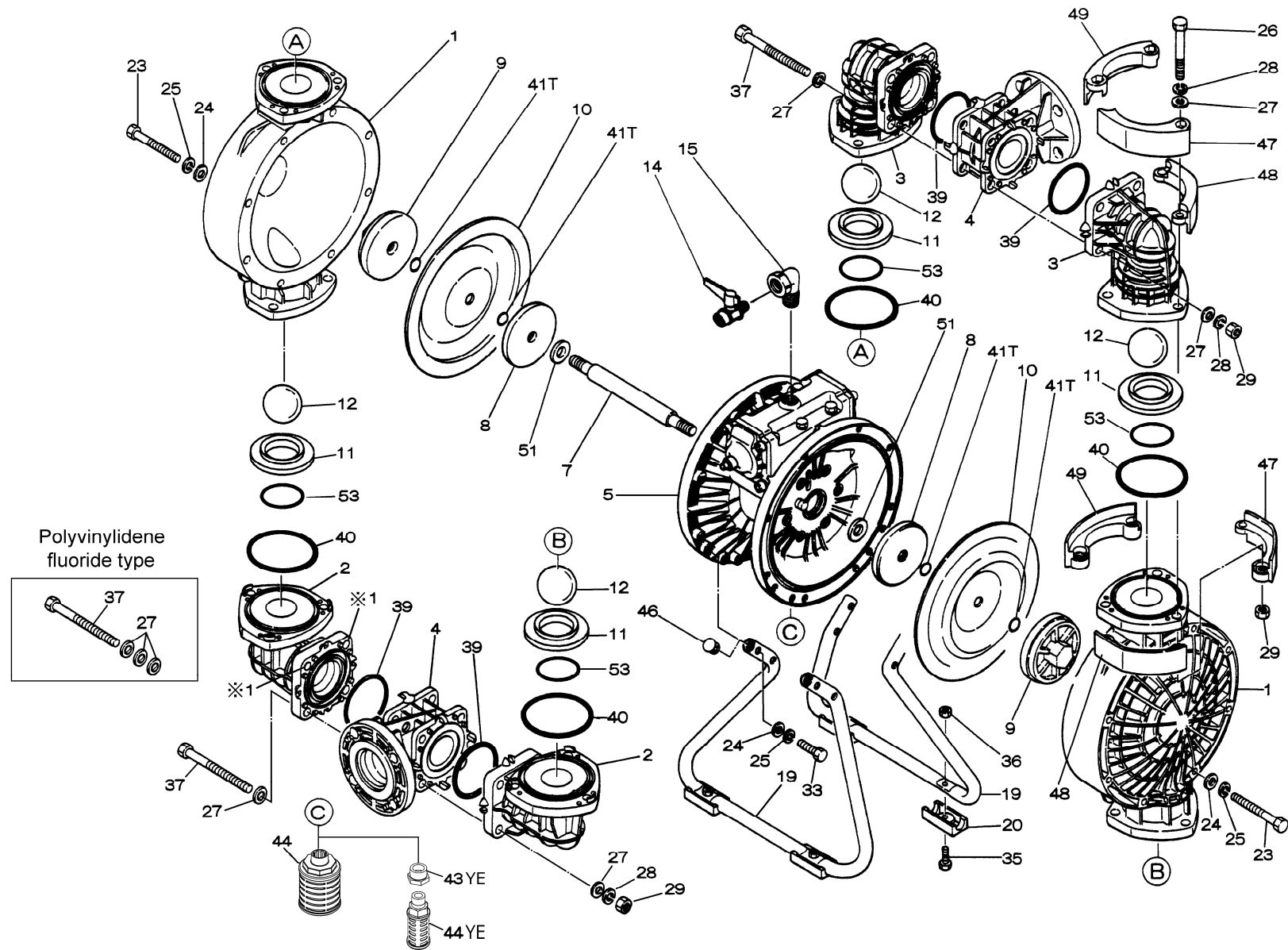


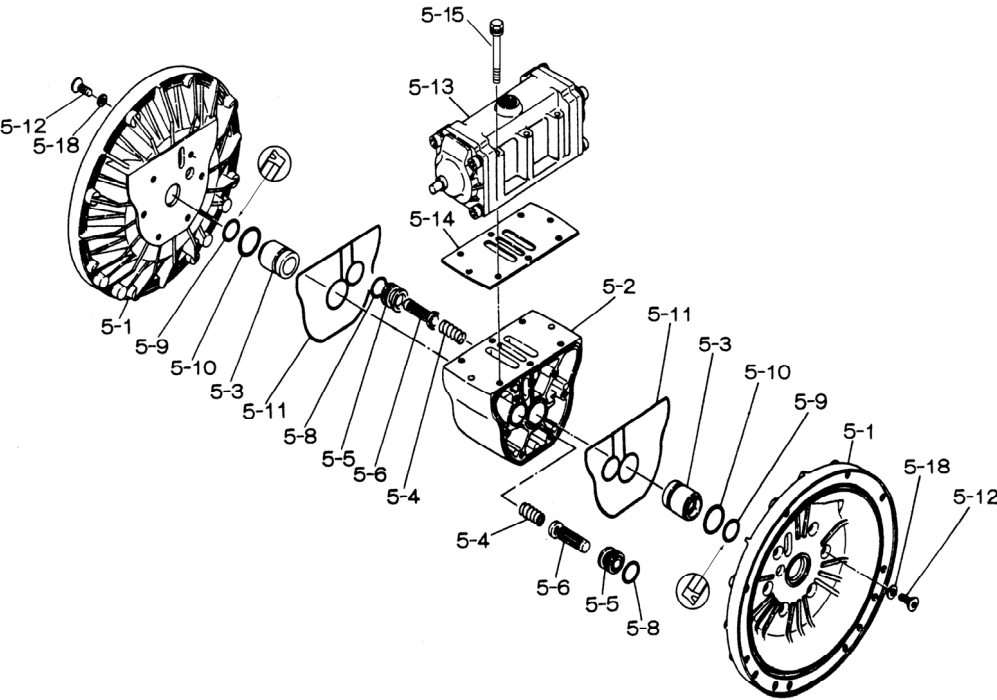
Fluid contact Portion : Polypropylene type
Polyvinylidene fluoride type



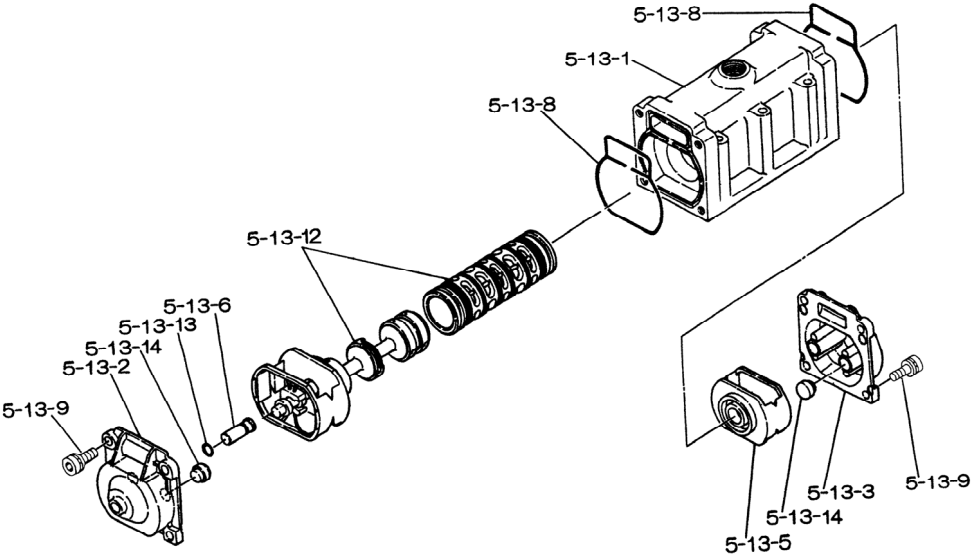
Polyvinylidene fluoride type (BV_) Only : For the bolts marked with "※1",

use 3 × No.27(Plain Washer) under the bolt head.

■Body Assembly (本体組立)



■Valve Body Assembly (バルブボディ組立)





REF. No.	MODEL		NDP-50 BPC	NDP-50 BPN	NDP-50 BPE	NDP-50 BPV	NDP-50 BPT	NDP-50 BPH	NDP-50 BPS	NDP-50 BPH/T
	ITEM No.		852665	852335	852666	852315	852337	852336	852715	852562
	DESCRIPTION	Q'TY.	Part No.	Part No.	Part No.	Part No.	Part No.	Part No.	Part No.	Part No.
1	OUT CHAMBER	2	780148	780148	780148	780148	780148	780148	780148	780148
2	IN MANIFOLD	2	780245	780245	780245	780245	780245	780245	780245	780245
3	OUT MANIFOLD	2	780151	780151	780151	780151	780151	780151	780151	780151
4	CENTER MANIFOLD	2	780249	780249	780249	780249	780249	780249	780249	780249
5	BODY ASSY	1	803122	803122	803122	803122	803122	803122	803122	803122
7	CENTER ROD	1	711900	711900	711900	711900	711939	711900	711900	711900
8	CENTER DISK	2	711904	711904	711904	711904	707822	711904	711904	711904
9	CENTER DISK	2	771727	771727	771727	771727	780063	771727	771727	771727
10	DIAPHRAGM	2	771855	771702	771856	771800	770815	771703	771976	771703
11	VALVE SEAT	4	772097	772097	772097	772097	772097	772097	772097	772097
12	BALL	4	770627	770630	770633	770636	770693	773143	773173	770693
14	VALVE	1	686973	686973	686973	686973	686973	686973	686973	686973
15	ELBOW	1	634034	634034	634034	634034	634034	634034	634034	634034
19	STAND	2	711926	711926	711926	711926	711926	711926	711926	711926
20	RUBBER FOOT	4	771865	771865	771865	771865	771865	771865	771865	771865
23	BOLT	16	686156	686156	686156	686156	686156	686156	686156	686156
24	PLAIN WASHER	24	631330	631330	631330	631330	631330	631330	631330	631330
25	SPRING WASHER	24	680257	680257	680257	680257	680257	680257	680257	680257
26	BOLT	12	621213	621213	621213	621213	621213	621213	621213	621213
27	PLAIN WASHER	28	631331	631331	631331	631331	631331	631331	631331	631331
28	SPRING WASHER	20	680607	680607	680607	680607	680607	680607	680607	680607
29	NUT	20	628014	628014	628014	628014	628014	628014	628014	628014
33	BOLT	8	621179	621179	621179	621179	621179	621179	621179	621179
35	BOLT	4	621149	621149	621149	621149	621149	621149	621149	621149
36	FLANGED NUT	4	683837	683837	683837	683837	683837	683837	683837	683837
37	BOLT	8	684592	684592	684592	684592	684592	684592	684592	684592
39	O RING	4	640064	640064	684121	642064	643064	640064	684121	643064
40	O RING	4	640069	640069	684122	642069	643069	640069	684122	643069
41T	O RING	4	—	—	—	—	643015	—	—	—
44	MUFFLER	1	804764	804764	804764	804764	804764	804764	804764	804764
46	CAP	4	683641	683641	683641	683641	683641	683641	683641	683641
47	PROTECTOR A	8	771786	771786	771786	771786	771786	771786	771786	771786
48	PROTECTOR B	8	771787	771787	771787	771787	771787	771787	771787	771787
49	PROTECTOR C	8	771788	771788	771788	771788	771788	771788	771788	771788
51	CUSHION	2	770582	770582	770582	770582	—	770582	770582	770582
53	O RING	4	640139	640139	685448	642139	643139	640139	685448	643139



REF. No.	MODEL		BODY ASSY
	ITEM No.		BA_BS_BF_BP_BV
	DESCRIPTION		Part No.
5- 1	AIR CHAMBER	2	711934
5- 2	BODY	1	711947
5- 3	THROAT BEARING	2	772689
5- 4	SPRING	2	711937
5- 5	VALVE SEAT	2	771740
5- 6	PILOT VALVE ASSY	2	832162
5- 8	O RING	2	640020
5- 9	PACKING	2	685444
5-10	O RING	2	640029
5-11	GASKET	2	771742
5-12	BOLT	12	683812
5-13	VALVE BODY ASSY	1	803120
5-13- 1	VALVE BODY	1	711946
5-13- 2	CAP A	1	580999
5-13- 3	CAP B	1	581000
5-13- 5	SPRING RETAINER	1	771735
5-13- 6	RESET BUTTON	1	712976
5-13- 8	GASKET	2	771738
5-13- 9	BOLT	8	685036
5-13-12	C SPOOL ASSY	1	805084
5-13-13	O RING	1	640005
5-13-14	CUSHION	4	684128
5-14	GASKET	1	771712
5-15	BOLT & WASHER	6	684240
5-18	PLAIN WASHER	12	684987