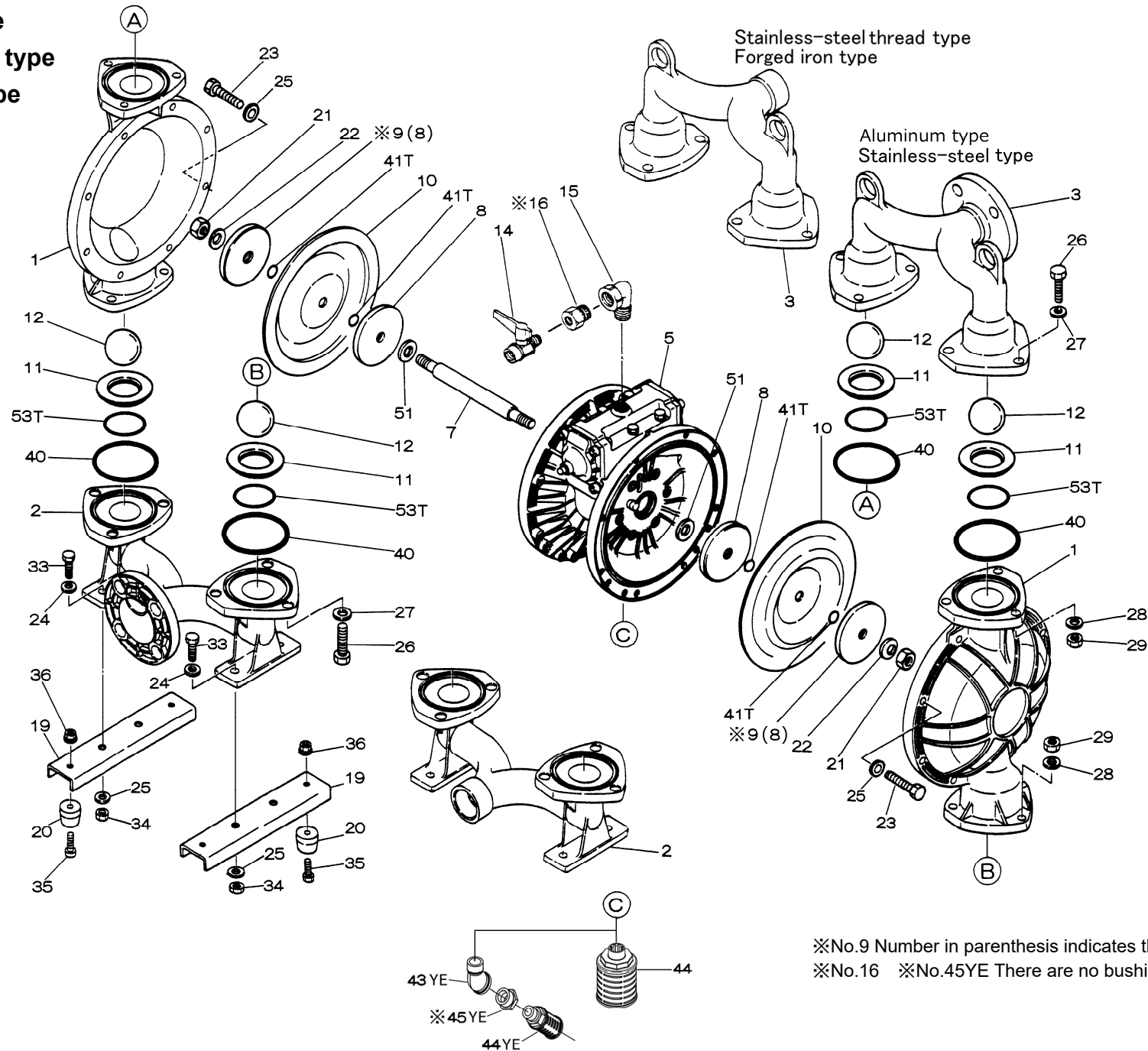


Fluid contact Portion :

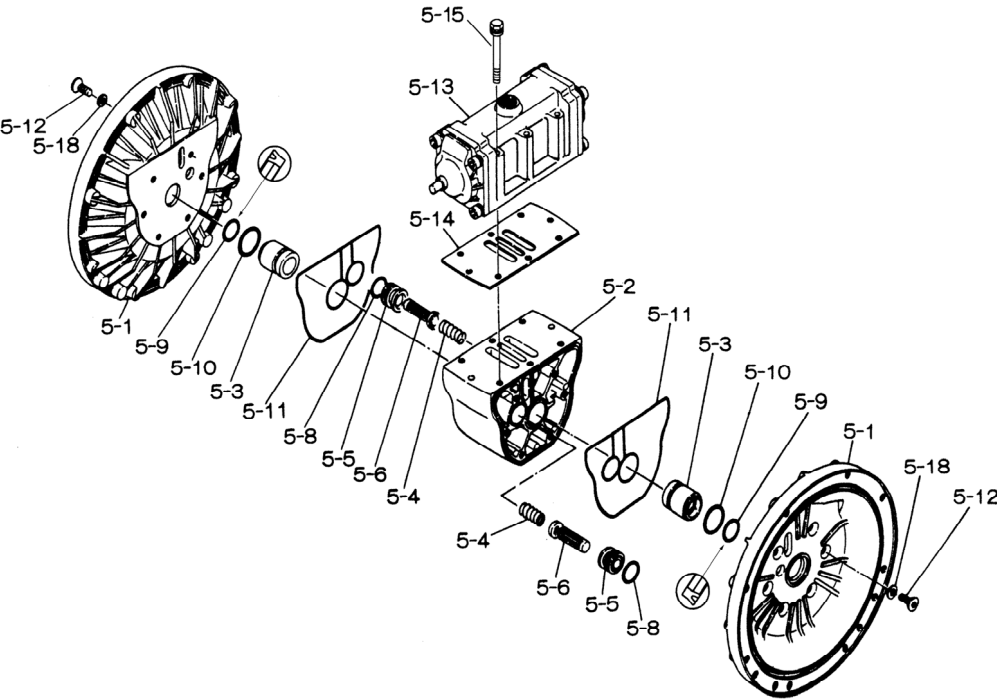
Aluminum type

Stainless-steel type

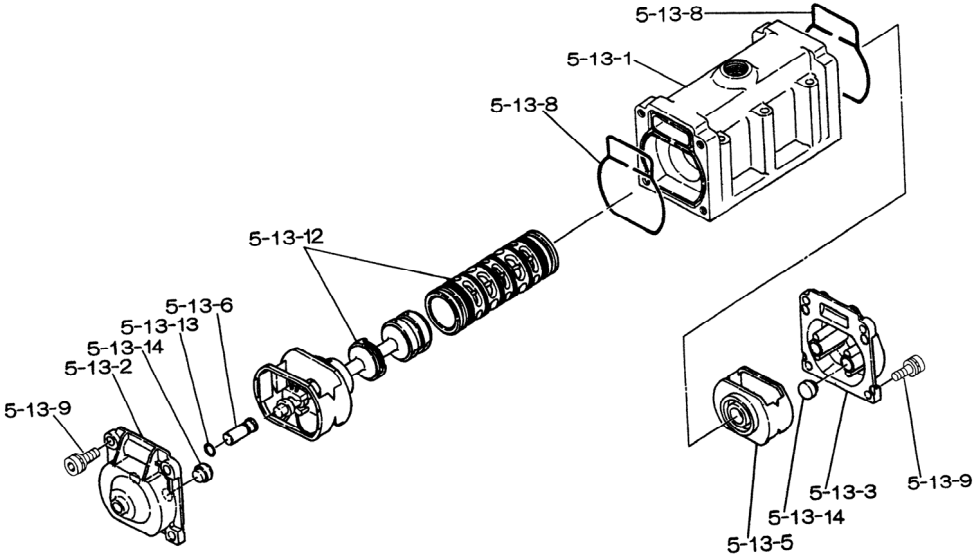
Forged iron type



■Body Assembly (本体組立)



■Valve Body Assembly (バルブボディ組立)





REF. No.	MODEL		NDP-50 BFC	NDP-50 BFN	NDP-50 BFE	NDP-50 BFV	NDP-50 BFT	NDP-50 BFH	NDP-50 BFS	NDP-50 BFH/T
	ITEM No.		855077	855078	855079	855080	855081	855082	855083	852823
	DESCRIPTION	Q'TY.	Part No.	Part No.	Part No.	Part No.	Part No.	Part No.	Part No.	Part No.
1	OUT CHAMBER	2	713157	713157	713157	713157	713157	713157	713157	713157
2	IN MANIFOLD	1	713163	713163	713163	713163	713163	713163	713163	713163
3	OUT MANIFOLD	1	713160	713160	713160	713160	713160	713160	713160	713160
5	BODY ASSY	1	803122	803122	803122	803122	803122	803122	803122	803122
7	CENTER ROD	1	711900	711900	711900	711900	711939	711900	711900	711900
8	CENTER DISK	2	711904	711904	711904	711904	707822	711904	711904	711904
9	CENTER DISK	2	713370	713370	713370	713370	713390	713370	713370	713370
10	DIAPHRAGM	2	771855	771702	771856	771800	770815	771703	771976	771703
11	VALVE SEAT	4	771957	771995	771949	771987	711909	771794	772004	771794
12	BALL	4	770627	770630	770633	770636	770693	773143	773173	770693
14	VALVE	1	686973	686973	686973	686973	686973	686973	686973	686973
15	ELBOW	1	634034	634034	634034	634034	634034	634034	634034	634034
19	BASE	2	711928	711928	711928	711928	711928	711928	711928	711928
20	RUBBER FOOT	4	771402	771402	771402	771402	771402	771402	771402	771402
21	NUT	2	683408	683408	683408	706128	706128	683408	683408	683408
22	CONED DISC SPRING	2	682740	682740	682740	682740	682740	682740	682740	682740
23	BOLT	16	686160	686160	686160	686160	686160	686160	686160	686160
24	PLAIN WASHER	4	631014	631014	631014	631014	631014	631014	631014	631014
25	WAVE WASHER	20	631917	631917	631917	631917	631917	631917	631917	631917
26	BOLT	12	611202	611202	611202	611202	611202	611202	611202	611202
27	PLAIN WASHER	12	631015	631015	631015	631015	631015	631015	631015	631015
28	WAVE WASHER	12	631918	631918	631918	631918	631918	631918	631918	631918
29	NUT	12	627014	627014	627014	627014	627014	627014	627014	627014
33	BOLT	4	611175	611175	611175	611175	611175	611175	611175	611175
34	NUT	4	627013	627013	627013	627013	627013	627013	627013	627013
35	BOLT	4	611149	611149	611149	611149	611149	611149	611149	611149
36	FLANGED NUT	4	682276	682276	682276	682276	682276	682276	682276	682276
40	O RING	4	640069	640069	684122	642069	643069	640069	684122	643069
41T	O RING	4	—	—	—	—	643015	—	—	—
43YE	ELBOW	1	634050	634050	634050	634050	634050	634050	634050	634050
44YE	MUFFLER	1	681040	681040	681040	681040	681040	681040	681040	681040
51	CUSHION	2	770582	770582	770582	770582	—	770582	770582	770582
53T	O RING	4	—	—	—	—	643139	—	—	—



REF. No.	MODEL		BODY ASSY
	ITEM No.		BA_BS_BF_BP_BV
	DESCRIPTION		Part No.
5- 1	AIR CHAMBER	2	711934
5- 2	BODY	1	711947
5- 3	THROAT BEARING	2	772689
5- 4	SPRING	2	711937
5- 5	VALVE SEAT	2	771740
5- 6	PILOT VALVE ASSY	2	832162
5- 8	O RING	2	640020
5- 9	PACKING	2	685444
5-10	O RING	2	640029
5-11	GASKET	2	771742
5-12	BOLT	12	683812
5-13	VALVE BODY ASSY	1	803120
5-13- 1	VALVE BODY	1	711946
5-13- 2	CAP A	1	580999
5-13- 3	CAP B	1	581000
5-13- 5	SPRING RETAINER	1	771735
5-13- 6	RESET BUTTON	1	712976
5-13- 8	GASKET	2	771738
5-13- 9	BOLT	8	685036
5-13-12	C SPOOL ASSY	1	805084
5-13-13	O RING	1	640005
5-13-14	CUSHION	4	684128
5-14	GASKET	1	771712
5-15	BOLT & WASHER	6	684240
5-18	PLAIN WASHER	12	684987