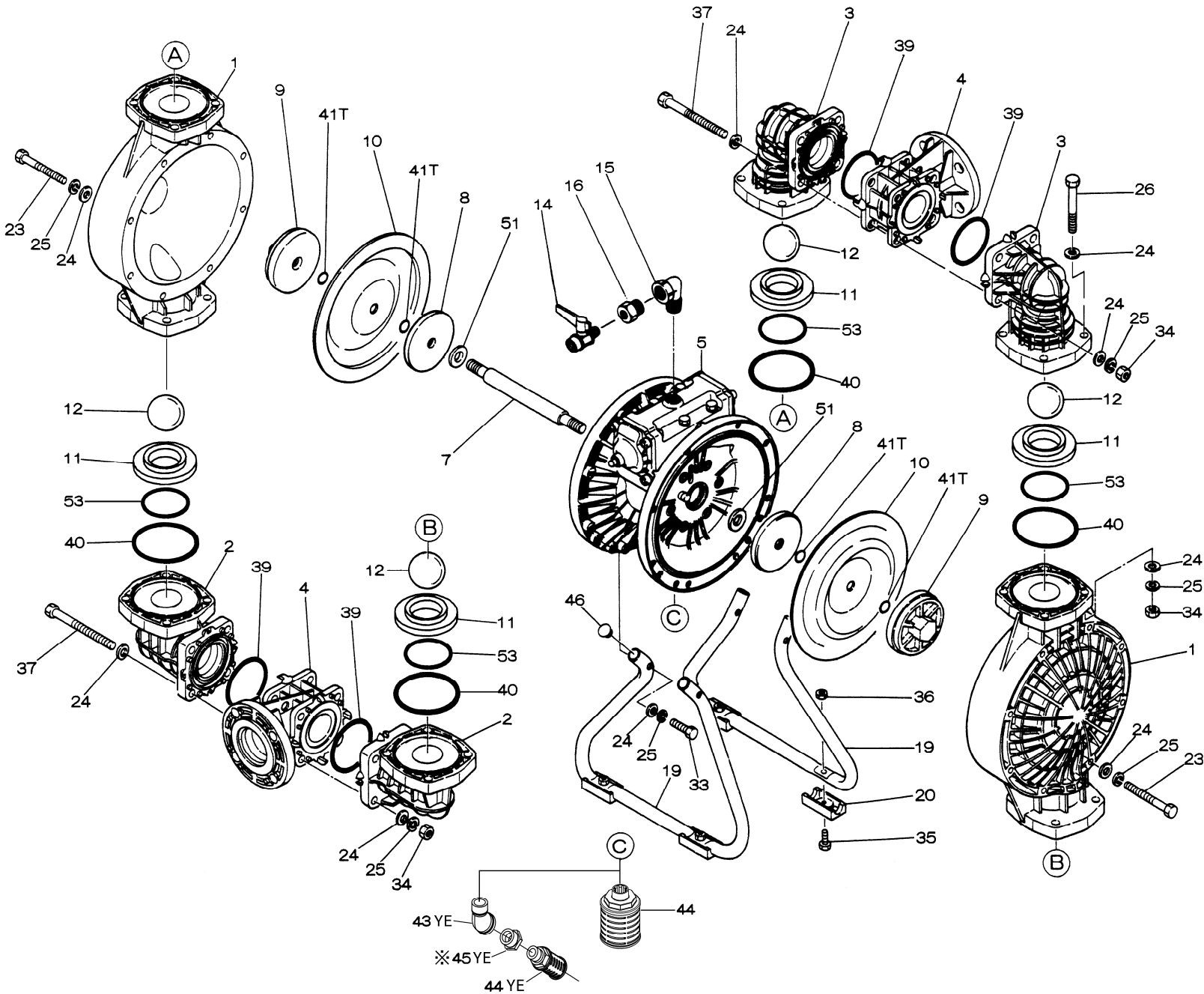
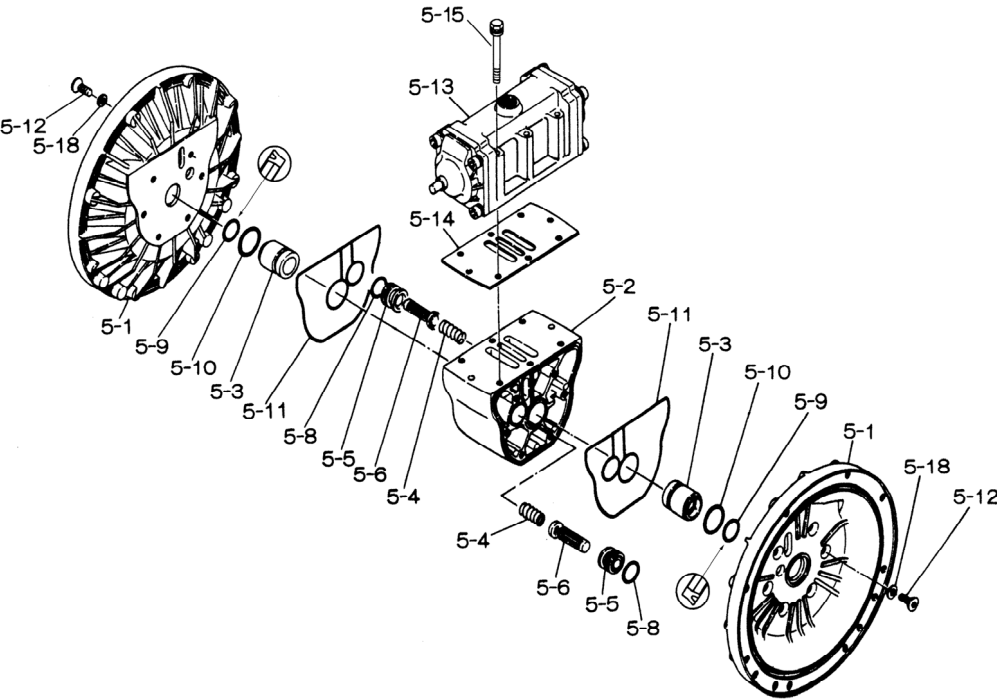


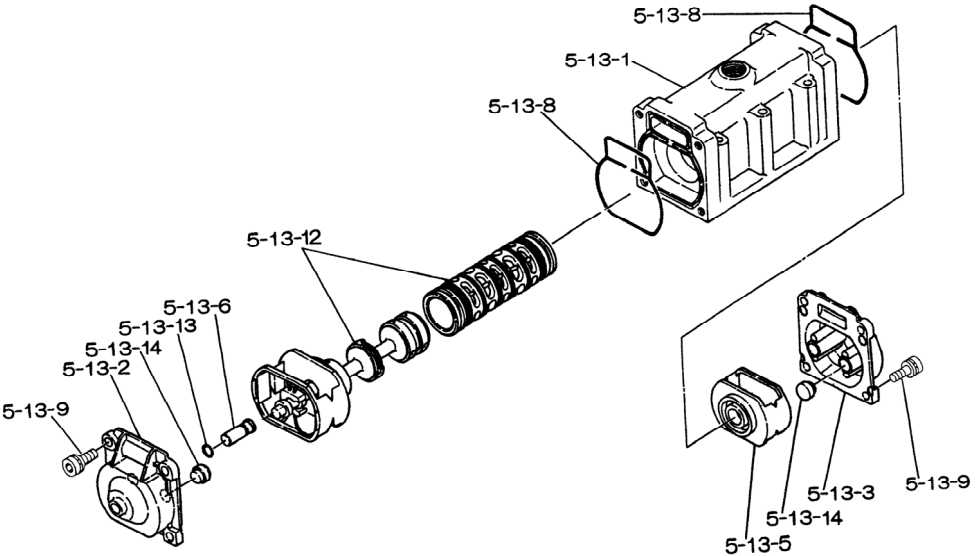
**Fluid contact Portion : Polypropylene type
Polyvinylidene fluoride type**



■Body Assembly (本体組立)



■Valve Body Assembly (バルブボディ組立)





REF. No.	MODEL		NDP-40 BPC	NDP-40 BPN	NDP-40 BPE	NDP-40 BPV	NDP-40 BPT	NDP-40 BPH	NDP-40 BPS	NDP-40 BPH/T
	ITEM No.		852659	852326	852660	852312	852328	852327	852708	852559
	DESCRIPTION	QTY	Part No.	Part No.	Part No.	Part No.	Part No.	Part No.	Part No.	Part No.
1	OUT CHAMBER	2	780147	780147	780147	780147	780147	780147	780147	780147
2	IN MANIFOLD	2	780244	780244	780244	780244	780244	780244	780244	780244
3	OUT MANIFOLD	2	780150	780150	780150	780150	780150	780150	780150	780150
4	CENTER MANIFOLD	2	780247	780247	780247	780247	780247	780247	780247	780247
5	BODY ASSY	1	803121	803121	803121	803121	803121	803121	803121	803121
7	CENTER ROD	1	711900	711900	711900	711900	711939	711900	711900	711900
8	CENTER DISK	2	711902	711902	711902	711902	707817	711902	711902	711902
9	CENTER DISK	2	771725	771725	771725	771725	780323	771725	771725	771725
10	DIAPHRAGM	2	771853	771700	771854	771799	770814	771701	771975	771701
11	VALVE SEAT	4	772096	772096	772096	772096	772096	772096	772096	772096
12	BALL	4	770550	770584	770593	770602	770692	773142	773172	770692
14	VALVE	1	686971	686971	686971	686971	686971	686971	686971	686971
15	ELBOW	1	634034	634034	634034	634034	634034	634034	634034	634034
16	BUSHING	1	634601	634601	634601	634601	634601	634601	634601	634601
19	STAND	2	711925	711925	711925	711925	711925	711925	711925	711925
20	RUBBER FOOT	4	771865	771865	771865	771865	771865	771865	771865	771865
23	BOLT	16	686156	686156	686156	686156	686156	686156	686156	686156
24	PLAIN WASHER	68	631330	631330	631330	631330	631330	631330	631330	631330
25	SPRING WASHER	44	680257	680257	680257	680257	680257	680257	680257	680257
26	BOLT	16	621183	621183	621183	621183	621183	621183	621183	621183
33	BOLT	4	621179	621179	621179	621179	621179	621179	621179	621179
34	NUT	24	628013	628013	628013	628013	628013	628013	628013	628013
35	BOLT	4	621149	621149	621149	621149	621149	621149	621149	621149
36	FLANGED NUT	4	683837	683837	683837	683837	683837	683837	683837	683837
37	BOLT	8	683542	683542	683542	683542	683542	683542	683542	683542
39	O RING	4	640060	640060	683998	642060	643060	640060	683998	643060
40	O RING	4	640064	640064	684121	642064	643064	640064	684121	643064
41T	O RING	4	—	—	—	—	643015	—	—	—
44	MUFFLER	1	804764	804764	804764	804764	804764	804764	804764	804764
46	CAP	4	683641	683641	683641	683641	683641	683641	683641	683641
51	CUSHION	2	770582	770582	770582	770582	—	770582	770582	770582
53	O RING	4	640136	640136	685447	642136	643136	640136	685447	643136



REF. No.	MODEL		BODY ASSY
	ITEM No.		803121
	DESCRIPTION	QTY	Part No.
5- 1	AIR CHAMBER	2	711933
5- 2	BODY	1	711947
5- 3	THROAT BEARING	2	772689
5- 4	SPRING	2	711937
5- 5	VALVE SEAT	2	771740
5- 6	PILOT VALVE ASSY	2	832162
5- 8	O RING	2	640020
5- 9	PACKING	2	685444
5-10	O RING	2	640029
5-11	GASKET	2	771742
5-12	BOLT	12	683812
5-13	VALVE BODY ASSY	1	803120
5-13- 1	VALVE BODY	1	711946
5-13- 2	CAP A	1	580999
5-13- 3	CAP B	1	581000
5-13- 5	SPRING RETAINER	1	771735
5-13- 6	RESET BUTTON	1	712976
5-13- 8	GASKET	2	771738
5-13- 9	BOLT	8	685036
5-13-12	C SPOOL ASSY	1	805084
5-13-13	O RING	1	640005
5-13-14	CUSHION	4	684128
5-14	GASKET	1	771712
5-15	BOLT & WASHER	6	684240
5-18	PLAIN WASHER	12	684987