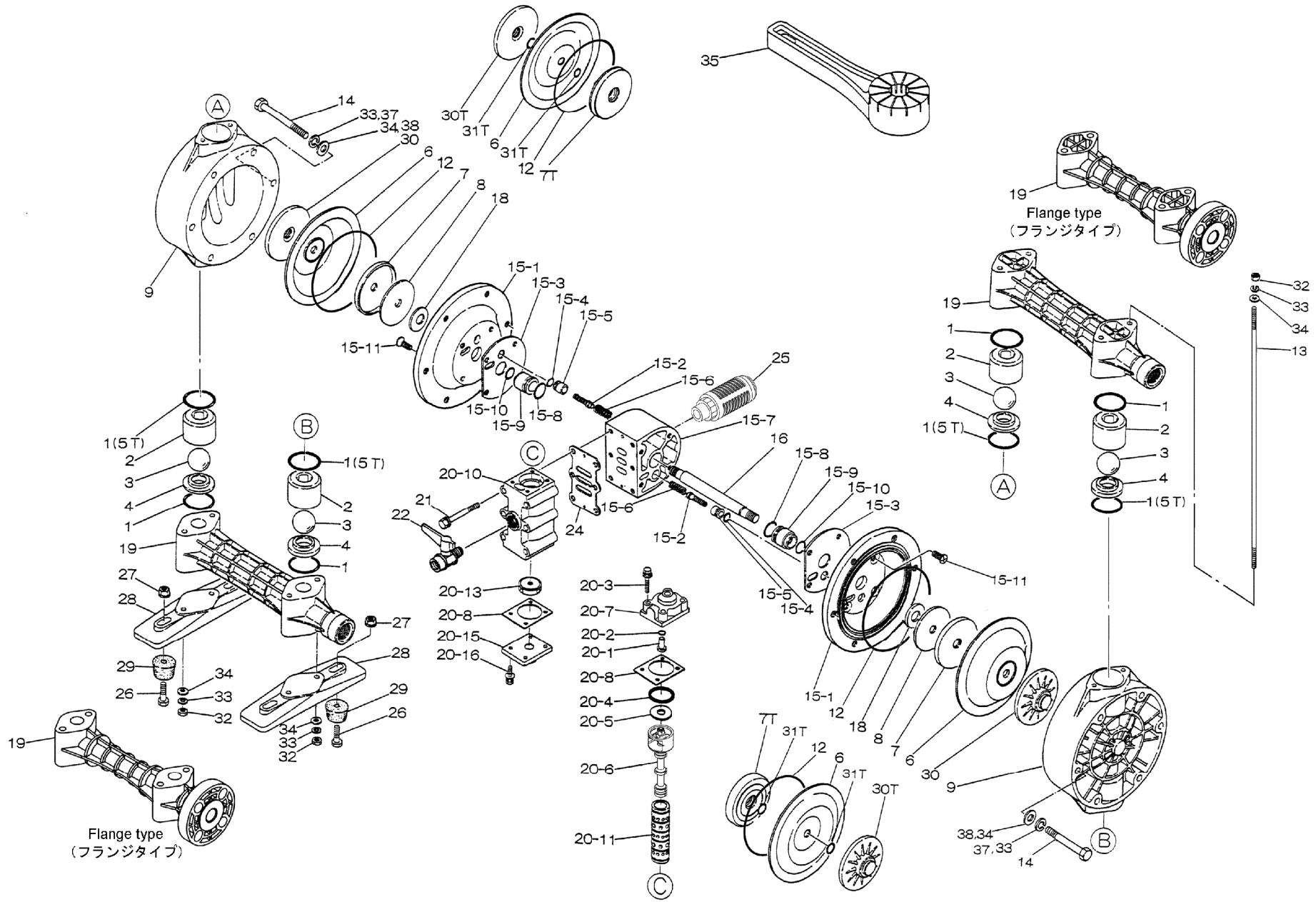


**Fluid contact Portion : Polypropylene type
Polyvinylidene fluoride type**



Series :NDP-25_BODY_VALVE

REF. No.	MODEL		BODY ASSY	BODY ASSY
	ITEM No.		BA BS BF	BP BV
	DESCRIPTION	QTY	Part No.	Part No.
15- 1	AIR CHAMBER	2	715939	715940
15- 2	PILOT VALVE ASSY	2	802360	802360
15- 3	GASKET	2	771057	771057
15- 4	O RING	2	640009	640009
15- 5	VALVE SEAT	2	771945	771945
15- 6	SPRING	2	708666	708666
15- 7	BODY	1	709154	711217
15- 8	O RING	2	685276	685276
15- 9	THROAT BEARING	2	772703	772703
15-10	PACKING	2	685414	685414
15-11	BOLT	8	682486	682486

REF. No.	MODEL		VALVE BODY	VALVE BODY
	ITEM No.		BA BS BF	BP BV
	DESCRIPTION	QTY	Part No.	Part No.
20- 1	RESET BUTTON	1	709161	709161
20- 2	O RING	1	640005	640005
20- 3	BOLT & WASHER	4	682704	682704
20- 4	PACKING	1	771241	771241
20- 5	WASHER	1	715961	715961
20- 6	C SPOOL ASSY	1	802400	802400
20- 7	CAP	1	710221	711219
20- 8	GASKET	2	771240	771240
20-10	VALVE BODY	1	711638	711641
20-11	SLEEVE ASSY	1	803931	803931
20-13	CUSHION	1	771914	771914
20-15	CAP	1	709305	711212
20-16	BOLT & WASHER	4	682262	682262