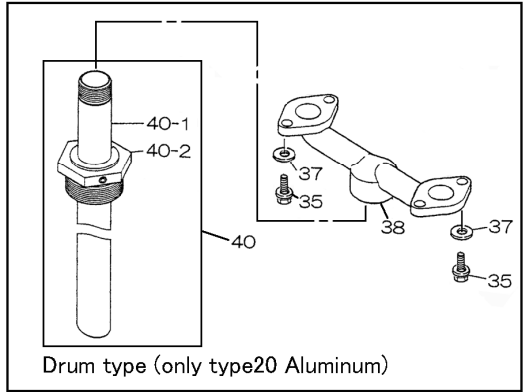
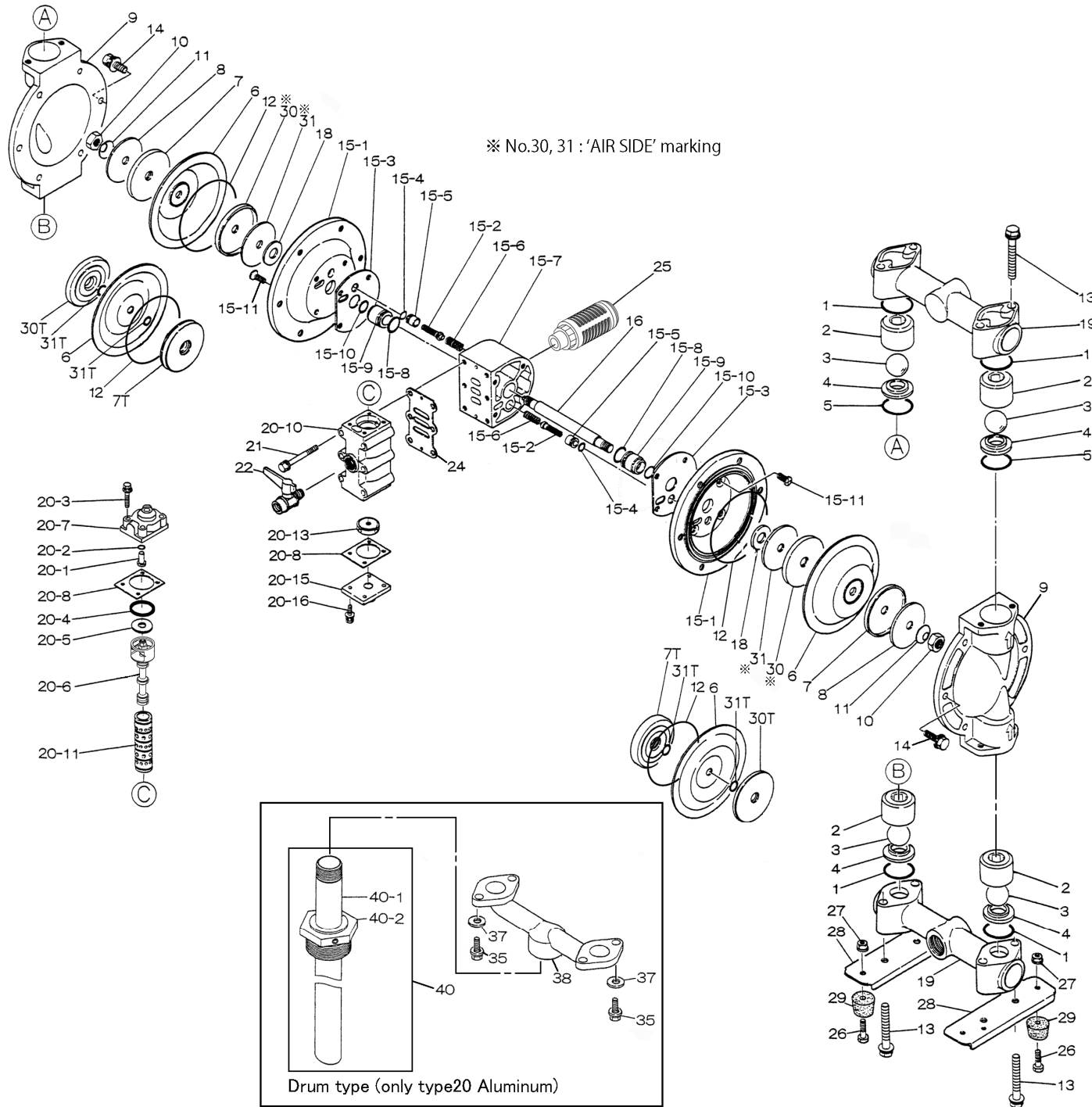


Fluid contact Portion :
Aluminum type
Stainless-steel type
Forged iron type





REF. No.	MODEL		NDP-20 BSC	NDP-20 BSN	NDP-20 BSE	NDP-20 BSV	NDP-20 BST	NDP-20 BSH	NDP-20 BSS	NDP-20 BSH/T
	ITEM No.		855018	855019	855020	855021	855022	855023	855024	853477
	DESCRIPTION	QTY	Part No.	Part No.	Part No.	Part No.	Part No.	Part No.	Part No.	Part No.
1	O RING	4	640036	640036	684118	642036	643036	640036	684118	643036
2	BALL GUIDE	4	711701	711701	711701	711701	711701	711701	711701	711701
3	BALL	4	770705	770720	770723	770726	770736	773126	773170	770736
4	VALVE SEAT	4	711705	711705	711705	711705	711705	711705	711705	711705
5	O RING	2	640132	640132	684117	642132	771131	640132	684117	771131
6	DIAPHRAGM	2	772957	772958	772959	772960	771083	771362	771973	771362
7,7T	CENTER DISK	2	709153	709153	709153	709153	709456	709153	709153	709153
8	WASHER	2	709152	709152	709152	709152	—	709152	709152	709152
9	OUT CHAMBER	2	711693	711693	711693	711693	711693	711693	711693	711693
10	NUT	2	682263	682263	682263	682263	682263	682263	682263	682263
11	CONED DISC SPRING	2	682730	682730	682730	682730	682730	682730	682730	682730
12	O RING	2	—	—	—	—	640151	640151	640151	640151
13	BOLT & WASHER	8	686360	686360	686360	686360	686360	686360	686360	686360
14	BOLT & WASHER	12	686356	686356	686356	686356	686356	686356	686356	686356
15	BODY ASSY	1	804660	804660	804660	804660	804660	804660	804660	804660
16	CENTER ROD	1	709163	709163	709163	709163	709163	709163	709163	709163
18	CUSHION	2	771054	771054	771054	771054	771054	771054	771054	771054
19	MANIFOLD ASSY	2	831245	831245	831245	831245	831245	831245	831245	831245
20	VALVE BODY ASSY	1	802361	802361	802361	802361	802361	802361	802361	802361
21	BOLT & WASHER	6	682265	682265	682265	682265	682265	682265	682265	682265
22	VALVE	1	686967	686967	686967	686967	686967	686967	686967	686967
24	GASKET	1	771056	771056	771056	771056	771056	771056	771056	771056
25	MUFFLER	1	680913	680913	680913	680913	680913	680913	680913	680913
26	BOLT	4	611148	611148	611148	611148	611148	611148	611148	611148
27	FLANGED NUT	4	682276	682276	682276	682276	682276	682276	682276	682276
28	BASE	2	709157	709157	709157	709157	709157	709157	709157	709157
29	RUBBER FOOT	4	770551	770551	770551	770551	770551	770551	770551	770551
30,30T	CENTER DISK	2	716225	716225	716225	716225	709326	716225	716225	716225
31	WASHER	2	716226	716226	716226	716226	—	716226	716226	716226
31T	O RING	4	—	—	—	—	643013	—	—	—

REF. No.	MODEL		BODY ASSY	BODY ASSY
	ITEM No.		BA BS	BP
	DESCRIPTION	QTY	Part No.	Part No.
15- 1	AIR CHAMBER	2	715937	715938
15- 2	PILOT VALVE ASSY	2	802360	802360
15- 3	GASKET	2	771057	771057
15- 4	O RING	2	640009	640009
15- 5	VALVE SEAT	2	771945	771945
15- 6	SPRING	2	708666	708666
15- 7	BODY	1	709154	711217
15- 8	O RING	2	685276	685276
15- 9	THROAT BEARING	2	772703	772703
15-10	PACKING	2	685414	685414
15-11	BOLT	8	682486	682486

REF. No.	MODEL		VALVE BODY	VALVE BODY
	ITEM No.		BA BS	BP
	DESCRIPTION	QTY	Part No.	Part No.
20- 1	RESET BUTTON	1	709161	709161
20- 2	O RING	1	640005	640005
20- 3	BOLT & WASHER	4	682704	682704
20- 4	PACKING	1	771241	771241
20- 5	WASHER	1	715961	715961
20- 6	C SPOOL ASSY	1	802400	802400
20- 7	CAP	1	710221	711219
20- 8	GASKET	2	771240	771240
20-10	VALVE BODY	1	711638	711641
20-11	SLEEVE ASSY	1	803931	803931
20-13	CUSHION	1	771914	771914
20-15	CAP	1	709305	711212
20-16	BOLT & WASHER	4	682262	682262