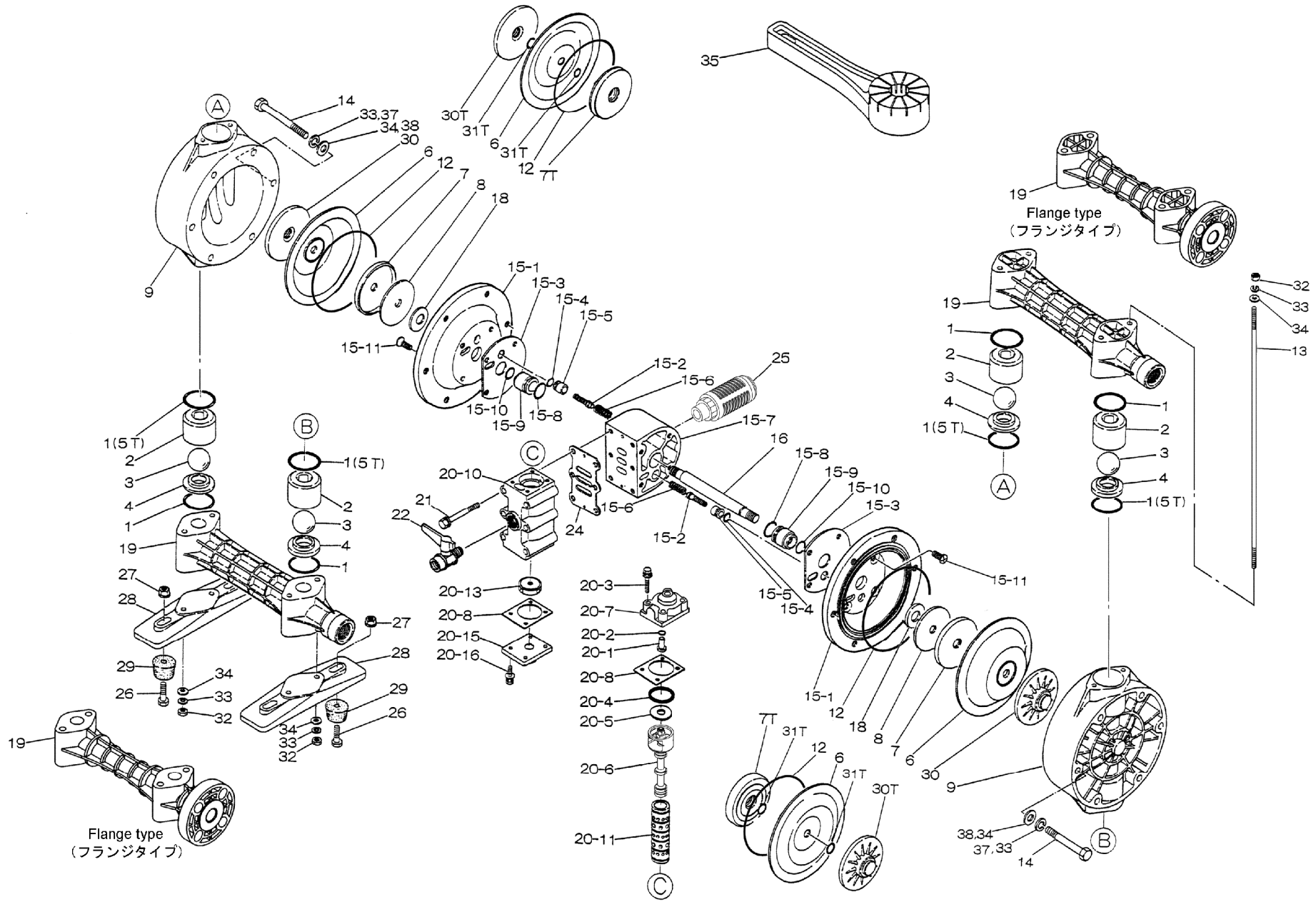


**Fluid contact Portion : Polypropylene type**  
**Polyvinylidene fluoride type**







REF. No.	MODEL		NDP-20 BPH-FL	NDP-20 BPS	NDP-20 BPS-FL	NDP-20 BPH/T	NDP-20 BPH/T-FL
	ITEM No.		853824	852692	853825	853461	853827
	DESCRIPTION	QTY	Part No.	Part No.	Part No.	Part No.	Part No.
1	O RING	8	640033	684116	684116	643033	643033
2	BALL GUIDE	4	771216	771216	771216	771216	771216
3	BALL	4	773126	773170	773170	770736	770736
4	VALVE SEAT	4	780137	780137	780137	780137	780137
6	DIAPHRAGM	2	771362	771973	771973	771362	771362
7,7T	CENTER DISK	2	716225	716225	716225	716225	716225
8	WASHER	2	716226	716226	716226	716226	716226
9	OUT CHAMBER	2	780134	780134	780134	780134	780134
12	O RING	2	640151	640151	640151	640151	640151
13	TIE ROD	4	710122	710122	710122	710122	710122
14	BOLT	12	621163	621163	621163	621163	621163
15	BODY ASSY	1	804662	804662	804662	804662	804662
16	CENTER ROD	1	710252	710252	710252	710252	710252
18	CUSHION	2	771054	771054	771054	771054	771054
19	MANIFOLD	2	780208	780009	780208	780009	780208
20	VALVE BODY ASSY	1	802700	802700	802700	802700	802700
21	BOLT & WASHER	6	682265	682265	682265	682265	682265
22	VALVE	1	686967	686967	686967	686967	686967
24	GASKET	1	771056	771056	771056	771056	771056
25	MUFFLER	1	804697	804697	804697	804697	804697
26	BOLT	4	611151	611151	611151	611151	611151
27	FLANGED NUT	4	682276	682276	682276	682276	682276
28	BASE	2	771219	771219	771219	771219	771219
29	RUBBER FOOT	4	770551	770551	770551	770551	770551
30,30T	CENTER DISK	2	780123	780123	780123	780123	780123
31T	O RING	4	—	—	—	—	—
32	NUT	8	683635	683635	683635	683635	683635
33	SPRING WASHER	20	681300	681300	681300	681300	681300
34	PLAIN WASHER	20	631329	631329	631329	631329	631329
35	SPECIAL TOOL	2	771244	771244	771244	771244	771244

REF. No.	MODEL		BODY ASSY	BODY ASSY
	ITEM No.		BA BS	BP
	DESCRIPTION	QTY	Part No.	Part No.
15- 1	AIR CHAMBER	2	715937	715938
15- 2	PILOT VALVE ASSY	2	802360	802360
15- 3	GASKET	2	771057	771057
15- 4	O RING	2	640009	640009
15- 5	VALVE SEAT	2	771945	771945
15- 6	SPRING	2	708666	708666
15- 7	BODY	1	709154	711217
15- 8	O RING	2	685276	685276
15- 9	THROAT BEARING	2	772703	772703
15-10	PACKING	2	685414	685414
15-11	BOLT	8	682486	682486

REF. No.	MODEL		VALVE BODY	VALVE BODY
	ITEM No.		BA BS	BP
	DESCRIPTION	QTY	Part No.	Part No.
20- 1	RESET BUTTON	1	709161	709161
20- 2	O RING	1	640005	640005
20- 3	BOLT & WASHER	4	682704	682704
20- 4	PACKING	1	771241	771241
20- 5	WASHER	1	715961	715961
20- 6	C SPOOL ASSY	1	802400	802400
20- 7	CAP	1	710221	711219
20- 8	GASKET	2	771240	771240
20-10	VALVE BODY	1	711638	711641
20-11	SLEEVE ASSY	1	803931	803931
20-13	CUSHION	1	771914	771914
20-15	CAP	1	709305	711212
20-16	BOLT & WASHER	4	682262	682262